



## Showtec Spectral Revo UV

100W UV LED Par  
 Fixed 45 Deg beam angle  
 IP65 rating  
 PC Lens optics for homogenous output  
 Silent operations

### SOURCE

Light Source Type	LED	Led Colour Type	UV
Light Source Quantity	1	Refresh Rate (min-max)	600 Hz - 25 kHz
Light Source Power	100W	Lumen Total	3051 lm

### OPTICAL

Beam Angle	45 deg	Optional Accessories	Top Hat
		Optional Accessories	Barndoor

### CONTROL & PROGRAMMING

Control Mode	DMX, Built-in Program	Display	OLED
DMX Channels	1, 2, 4	Dim Curve	Linear, Square, S-Curve, I-Square
Protocols	DMX, RDM		

### RIGGING

Mounting Options	Clamp, Quick lock, Surface	Safety Attachment	Yes
------------------	----------------------------	-------------------	-----

### TERMAL SPECIFICATIONS

Max Ambient Temp	40 deg C	Min Ambient Temp	-10 deg C
------------------	----------	------------------	-----------

### ELECTRIC SPECIFICATIONS & CONNECTIONS

Power Supply	100-240 VAC 50-60Hz	DMX Connector	XRL 5P IP65 IN/OUT
Power Consumption	110 W	Power Connector out	PowerCON True1 Out (f)
Power Connector in	PowerCON True1 In (m)		

### PRODUCT PROPERTIES

Cooling	Forced Convection
---------	-------------------

### INCLUDED ITEMS

Included Cables	PowerCON True1 Cable	Included Rigging	Bracket
Included Accessories	User Manual		



**Clearlight Shows Pty Ltd**



### DYNAMIC EFFECTS

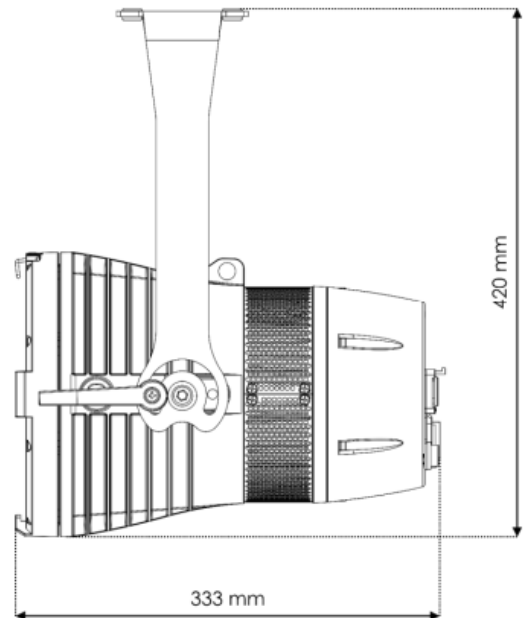
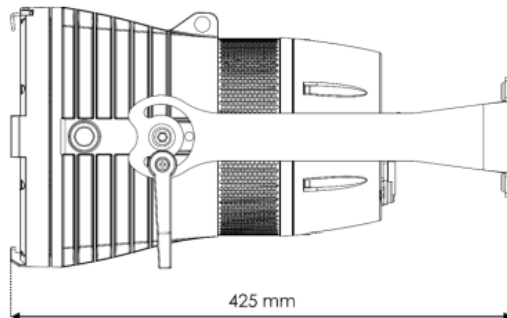
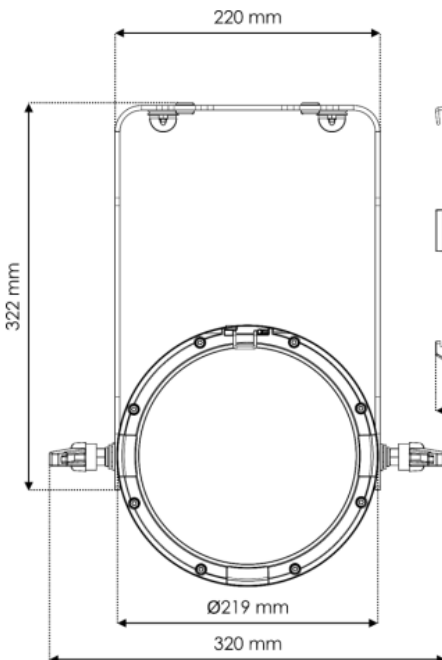
Dimmer	1-100%
Strobe	0-20HZ

### MECHANICAL SPECS

Length	425 mm
Width	320 mm
Height	219 mm
Weight	6.5 kgs
IP Rating	IP65
Housing	Aluminium Die Cast
Colour	Black

### CERTIFICATIONS

Reference Standards	CE
---------------------	----



**Clearlight Shows Pty Ltd**

5 Horscroft Place, Moorabbin VIC 3189 Australia | Sales@clearlight.com.au | +61 3 9553 1688 |  
www.clearlight.com.au