

# Selecon

## PLPROFILE1 MKII LED Luminaires



*For PLZ51MKII-1834-03 &  
PLZ51MKII-2444-03*

**Website:**  
[www.vari-lite.com](http://www.vari-lite.com)

The material in this manual is for information purposes only and is subject to change without notice. Selecon assumes no responsibility for any errors or omissions which may appear in this manual. For comments and suggestions regarding corrections and/or updates to this manual, please visit the Selecon web site at [www.seleconlight.com](http://www.seleconlight.com) or contact your nearest Selecon office.

El contenido de este manual es solamente para información y está sujeto a cambios sin previo aviso. Selecon no asume responsabilidad por errores o omisiones que puedan aparecer. Cualquier comentario, sugerencia o corrección con respecto a este manual, favor de dirigirlo a la oficina de Selecon más cercana.

Der Inhalt dieses Handbuches ist nur für Informationszwecke gedacht, Aenderungen sind vorbehalten. Selecon uebernimmt keine Verantwortung für Fehler oder Irrtuemer, die in diesem Handbuch auftreten. Für Bemerkungen und Verbesserungsvorschlaege oder Vorschlaege in Bezug auf Korrekturen und/oder Aktualisierungen in diesem Handbuch, moechten wir Sie bitten, Kontakt mit der naechsten Selecon-Niederlassung aufzunehmen.

Le matériel décrit dans ce manuel est pour information seulement et est sujet à changements sans préavis. La compagnie Selecon n'assume aucune responsabilité sur toute erreur ou omission inscrite dans ce manuel. Pour tous commentaires ou suggestions concernant des corrections et/ou les mises à jour de ce manuel, veuillez s'il vous plait contacter le bureau de Selecon le plus proche.

---

**Note:** Information contained in this document may not be duplicated in full or in part by any person without prior written approval of Selecon. Its sole purpose is to provide the user with conceptual information on the equipment mentioned. The use of this document for all other purposes is specifically prohibited.

---

Document Number: **02.9691.2001**

Version as of: **01 September 2015**

PLPROFILE1 MKII LED Luminaire Installation & User's Manual

# IMPORTANT INFORMATION

## Warnings and Notices

When using electrical equipment, basic safety precautions should always be followed including the following:



- a. **READ AND FOLLOW ALL SAFETY INSTRUCTIONS.**
- b. Do not use outdoors.
- c. Do not mount near gas or electric heaters.
- d. Equipment should be mounted in locations and at heights where it will not readily be subjected to tampering by unauthorized personnel.
- e. The use of accessory equipment not recommended by the manufacturer may cause an unsafe condition.
- f. Do not use this equipment for other than intended use. This equipment is not for residential installation or use.
- g. Refer service to qualified personnel.

**SAVE THESE INSTRUCTIONS.**



**WARNING:** You must have access to a main circuit breaker or other power disconnect device before installing any wiring. Be sure that power is disconnected by removing fuses or turning the main circuit breaker off before installation. Installing the device with power on may expose you to dangerous voltages and damage the device. A qualified electrician must perform this installation.

**WARNING:** Refer to National Electrical Code® and local codes for cable specifications. Failure to use proper cable can result in damage to equipment or danger to personnel.

**WARNING:** This equipment is intended for installation in accordance with the National Electric Code® and local regulations. It is also intended for installation in indoor applications only. Before any electrical work is performed, disconnect power at the circuit breaker or remove the fuse to avoid shock or damage to the control. It is recommended that a qualified electrician perform this installation.

## Additional Resources for DMX512

For more information on installing DMX512 control systems, the following publication is available for purchase from the United States Institute for Theatre Technology (USITT), "Recommended Practice for DMX512: A Guide for Users and Installers, 2nd edition" (ISBN: 9780955703522). USITT Contact Information:

**USITT**  
**315 South Crouse Avenue, Suite 200**  
**Syracuse, NY 13210-1844**  
**Phone: 1.800.938.7488 or 1.315.463.6463**  
**www.usitt.org**

## Selecon Limited Three-Year Warranty

Selecon offers a three-year limited warranty of its luminaires against defects in materials or workmanship from the date of delivery. A copy of the Selecon three-year limited warranty containing specific terms and conditions can be obtained from the Selecon web site at [www.seleconlight.com](http://www.seleconlight.com) or by contacting your local Selecon office. PLPROFILE1 MKII LED Luminaire powerful LED engine offers exceptional performance and life. Under normal operating conditions, our LED engine has a life expectancy in excess of 50,000 hours, however under worst case operating conditions with the luminaire set to continuous full output it is possible that a small percentage of LED's may require replacement sooner. The Selecon three-year limited warranty includes our guarantee against premature failure of the LED engine.

# TABLE OF CONTENTS

Selecon Offices.....	Inside Front Cover
<b>IMPORTANT INFORMATION</b>	
Warnings and Notices.....	1
Additional Resources for DMX512.....	1
Selecon Limited Three-Year Warranty .....	1
<b>TABLE OF CONTENTS</b>	
<b>PREFACE</b>	
About this Manual .....	4
Accessories .....	4
PLPROFILE1 MKII LED Luminaire Power Input Cables .....	4
PLPROFILE1 MKII LED Luminaire Zoomspot Lenses .....	4
PLPROFILE1 MKII LED Luminaire Imaging Accessories .....	4
PLPROFILE1 MKII LED Luminaire Clamps .....	4
PLPROFILE1 MKII LED Luminaire USB Luminaire Software Cable .....	4
PLPROFILE1 MKII LED Luminaire Top Box Assembly.....	4
<b>PLPROFILE1 MKII LED Luminaire OVERVIEW</b>	
PLPROFILE1 MKII LED Luminaire Components.....	5
Major Luminaire Components .....	5
Top Box (PLICB) Luminaire Connections .....	6
LCD Display / Menu System .....	6
<b>INSTALLATION AND SET UP</b>	
Power Requirements.....	7
Connecting Power.....	7
Connecting to the DMX512 Network.....	8
Mounting .....	9
Using Supplied C-Clamp.....	9
Safety Cable Use .....	10
Pan and Tilt Adjustments.....	10
Pan Adjustment .....	10
Tilt Adjustment.....	10
<b>FOCUS AND BEAM ADJUSTMENTS</b>	
Lens Tray Removal and Installation .....	11
Zoom and Focus Adjustments .....	11
Beam Shutter Operation .....	12
Gobo/Iris Access Panel.....	13
<b>OPERATION AND PROGRAMMING</b>	
LCD Menu Operation .....	14
LCD Menu System .....	15
Menu Structure .....	16
Security.....	18
Locking Fixture .....	18
Presets.....	19
Editing Preset Names .....	19
Settings .....	19

**DMX CONTROL**

- 16-Bit Mode..... 21
- 8-Bit Mode..... 23
- DMX 5-Channel (5-Chan) Mode ..... 25
- PLPROFILE1 MKII LED Luminaire DMX Timing Channel Detail..... 25
- PLPROFILE1 MKII LED Luminaire RDM Parameter IDs..... 31

**CLEANING AND CARE**

- Special Cleaning and Care Instructions..... 34
- Lens Tray Assembly Cleaning ..... 34
- Service and Maintenance..... 35
- Accessories ..... 35

**TROUBLESHOOTING**

- Troubleshooting Guide ..... 36

**TECHNICAL SPECIFICATIONS**

- PLPROFILE1 MKII LED Luminaire Operational Specifications ..... 37
- PLPROFILE1 MKII LED Luminaire Dimensions..... 37

# PREFACE

## 1. About this Manual

The document provides installation and operation instructions for the following products:

- PLPROFILE1 MKII LED Luminaire, 18-34 Degree Zoomspot (PLZS1MKII-1834-03).
- PLPROFILE1 MKII LED Luminaire, 24-44 Degree Zoomspot (PLZS1MKII-2444-03).

Please read all instructions before installing or using this product. *Retain this manual for future reference.* Additional product information and descriptions may be downloaded at [www.seleconlight.com](http://www.seleconlight.com).

**Note:** All PLPROFILE1 MKII LED Luminaires are universal voltage (100VAC to 240VAC, Auto-ranging).

## 2. Accessories

Contact your Authorized Selecon Dealer for price and availability of all accessories for PLPROFILE1 MKII LED Luminaires. Additional information can be found on the Selecon web site at [www.seleconlight.com](http://www.seleconlight.com).

### PLPROFILE1 MKII LED Luminaire Power Input Cables

Part Number	Description
PC1BE	PLPROFILE1 MKII LED Luminaire AC Power Input Cable (39 inches / 1 meter), Powercon without Connector (user to supply AC connector)
PC1GP	PLPROFILE1 MKII LED Luminaire AC Power Input Cable (39 inches / 1 meter), Powercon with Stagepin Connector
PC1GTL	PLPROFILE1 MKII LED Luminaire AC Power Input Cable (39 inches / 1 meter), Powercon with Twistlock Connector
PC1GR	PLPROFILE1 MKII LED Luminaire AC Power Input Cable (39 inches / 1 meter), Powercon with Edison Connector
PC3PC	PLPROFILE1 MKII LED Luminaire PowerCon Male to PowerCon Female 2.5 Meter Cable for interconnection between units

### PLPROFILE1 MKII LED Luminaire Zoomspot Lenses

Part Number	Description
15ACAX1834LT	Acclaim Axial Zoomspot 18-34 Degrees Lens Tray, Black
15ACAX2444LT	Acclaim Axial Zoomspot 24-44 Degrees Lens Tray, Black

### PLPROFILE1 MKII LED Luminaire Imaging Accessories

Part Number	Description
15ACGH	Acclaim Axial Zoomspot Rotatable Gobo Holder (Black Handle, Steel M Sized Gobos)
15ACGHGL	Acclaim Axial Zoomspot Rotatable Gobo Holder (Black Handle, Glass M Sized Gobos)
15ACIRIS	Acclaim Axial Zoomspot Iris
15ACSM	Acclaim Axial Zoomspot Lens Safety Mesh
ACCDONUT	Acclaim Axial Zoomspot Donut
20CFMF	Acclaim Axial Zoomspot Replacement Color Frame, 4-7/8 Inch Square, Black

### PLPROFILE1 MKII LED Luminaire Clamps

Part Number	Description
SC	Selecon Molded Yoke Rated C-Clamp
MC	Mega Claw, Black Anodized

### PLPROFILE1 MKII LED Luminaire USB Luminaire Software Cable

Part Number	Description
PEGASUS	USB Luminaire Software Programming Kit (for updating luminaire firmware) - includes USB Upload Cable, QuickStart Guide, and Carry Bag

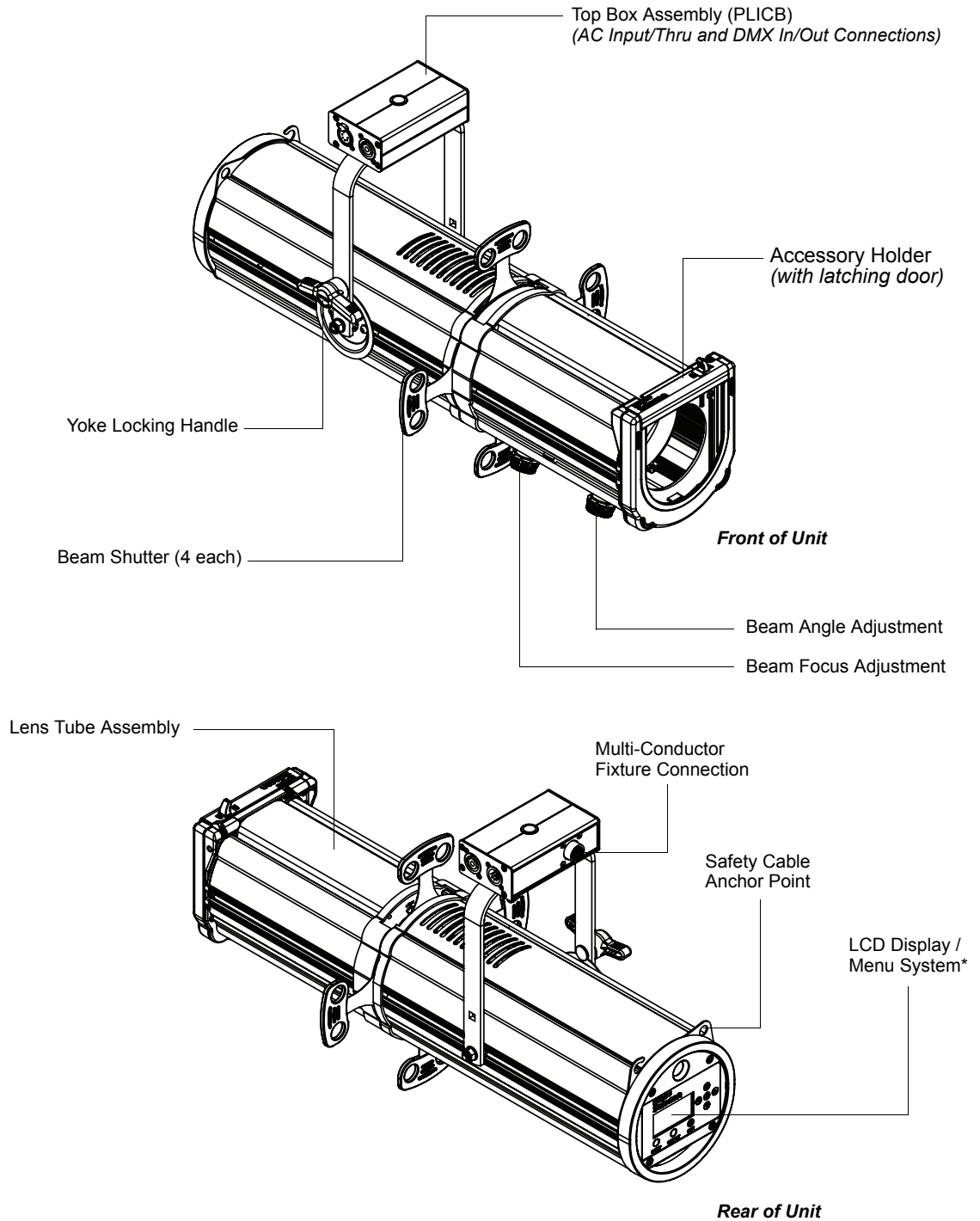
### PLPROFILE1 MKII LED Luminaire Top Box Assembly

Part Number	Description
PLICB	Spare Top Box (Interconnect) Assembly

# PLPROFILE1 MKII LED LUMINAIRE OVERVIEW

## 1. PLPROFILE1 MKII LED Luminaire Components

### Major Luminaire Components



\*For the LCD Display Menu System, refer to "LCD Display / Menu System" on page 6 for more information.

Figure 1: PLPROFILE1 MKII LED Luminaire Components

### Top Box (PLICB) Luminaire Connections

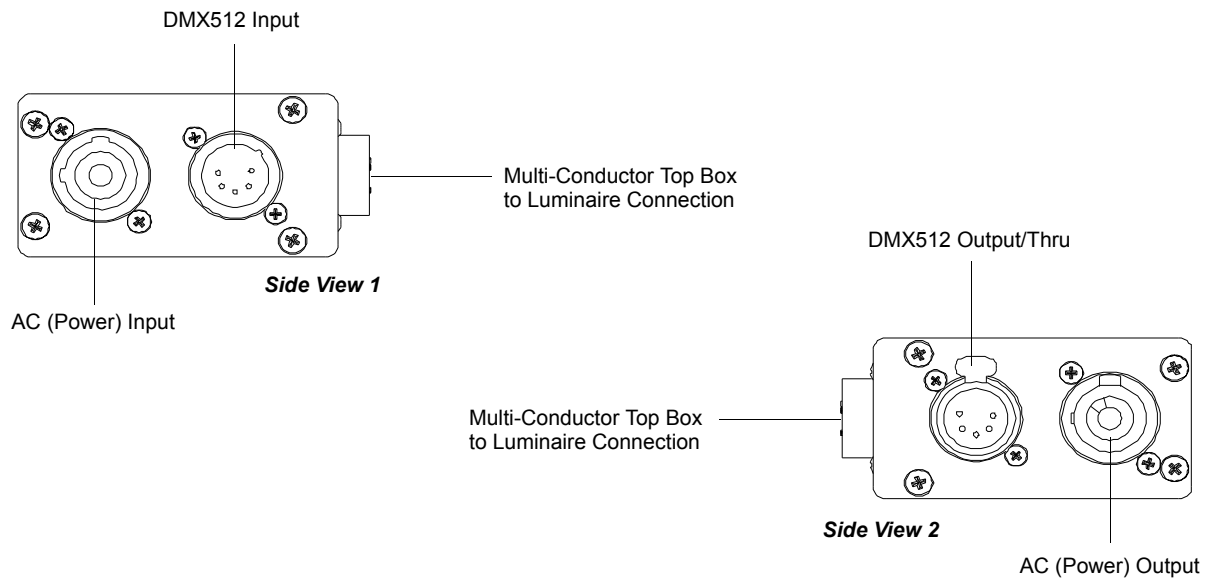
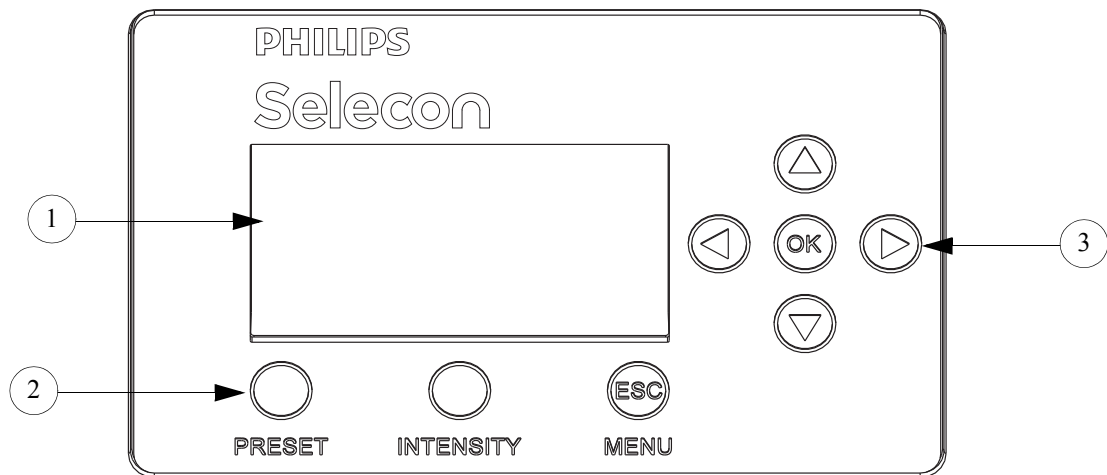


Figure 2: Top Box (PLICB) Connections

### LCD Display / Menu System



- 1) LCD Display (Menu System)
- 2) Preset / Intensity / Menu Access Buttons
- 3) Function (Menu System) Select Push Buttons

**Note:** For Menu operation and programming details, refer to "LCD Menu Operation" on page 14.

Figure 3: PLPROFILE1 MKII LED Luminaire LCD Display & Menu System

# INSTALLATION AND SET UP

## 1. Power Requirements



**WARNING!** The PLPROFILE1 MKII LED Luminaire should be connected to a constant circuit or a relay device. It should never be connected to a dimmer or circuit controlled by a dimmer.

The PLPROFILE1 MKII LED Luminaire operates on 100 to 240 volts AC (+/- 10%, auto-ranging). The luminaire contains an auto-ranging power supply. Depending on supply voltage, each luminaire can draw up to 140 Watts. The maximum through current should not exceed 20 Amps\*.



**WARNING!** \*The Maximum Allowable Input Current of 20 Amps (and the maximum power supply limit of 140 Watts). *Do not overload circuits! Must be supplied by a branch circuit protected by a maximum 20 Amp circuit protector. Doit être alimenté par un circuit de dérivation protégé par un maximum de 20 ampères circuit protecteur. Do not overload circuits!*



**IMPORTANT AC POWER CONNECTION NOTES:**

**PHILIPS Selecon**  
 PLZS1MKII-1834-03 / PLZS1MKII-2444-03  
 Made in U.S.A.  
 www.seleconlight.com

0.3m

Not for Residential use. Dry Locations Only!  
 Impropre A L'usage Domestique. Pour Emplacements Secs  
 Seulement! No-User Serviceable Parts.

Z899

ETL Intertek 2000851

100 - 240 VAC 50/60 Hz (AC Only)  
 140 Watts Max  
 1.2A@115VAC / 0.6A@230VAC  
 20A Max Thru Current!  
 Conforms to UL1573  
 Certified to CSA E598-2-17  
 Tc: 60°C • Ta: 40°C • IP20

04.9691.0203

- a. *Must be supplied by a branch circuit protected by a maximum 20 Amp circuit protector. Doit être alimenté par un circuit de dérivation protégé par un maximum de 20 ampères circuit protecteur.*
- b. When using the daisy-chain connection method, ONLY connect PLPROFILE1 MKII LED Luminaires to AC Output Connection of PLPROFILE1 MKII LED Luminaires. DO NOT CONNECT OTHER TYPES OF LUMINAIRES OR DEVICES!
- c. Use only approved cable types.
- d. Do not overload circuits!
- e. Do not connect PLPROFILE1 MKII LED Luminaires to dimmed circuits.
- f. The MAXIMUM allowable number of PLPROFILE1 MKII LED Luminaires which can be 'daisy-chained' on one power feed should not exceed ratings. DO NOT EXCEED!

## 2. Connecting Power

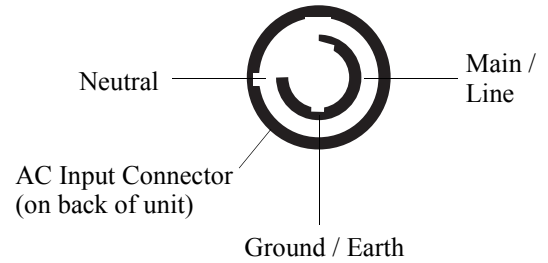
Units can be powered in one of two ways:

- Direct connection to a AC power source using an AC input cable.
- Daisy chain connection using a interconnect AC cable.

If the unit is supplied with an AC input cable but you did not order an AC input connector, [Table 1 on page 8](#) describes how to connect power to your PLPROFILE1 MKII LED Luminaire. Field wiring of the PLPROFILE1 MKII LED Luminaire is straight forward. A total of 3 wires/conductors need to be brought to the unit. The following wiring scheme is required:

**Table 1: PLPROFILE1 MKII LED Luminaire AC Input Connections**

Wire Color	Purpose
Brown	Main / Line (100 to 240VAC)
Blue	Neutral
Green/Yellow	Ground

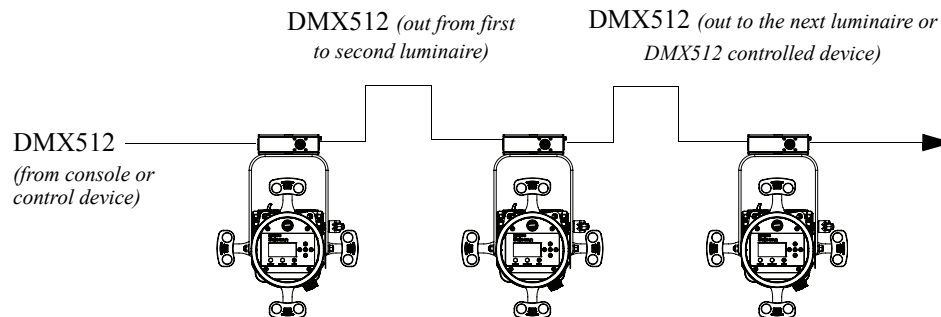


### 3. Connecting to the DMX512 Network

Basic DMX512 installation consists of connecting multiple PLPROFILE1 MKII LED Luminaires together (up to 30 luminaires) in "daisy-chain" fashion. A cable runs from the control console (or DMX512 control source) to the DMX connector on the first PLPROFILE1 MKII LED Luminaire. Another cable runs from the other DMX connector on the first unit to a DMX connector on the next PLPROFILE1 MKII LED Luminaire (or DMX512 device to be controlled).

**Note:** For more information on DMX512 networking and systems, refer to ["Additional Resources for DMX512"](#) on page 1. For PLPROFILE1 MKII LED Luminaire DMX Mapping, refer to ["DMX CONTROL"](#) on page 21.

PLPROFILE1 MKII LED Luminaires



DMX512 Connections						
<b>Data Thru</b> Cable Pinout	<b>Pin 1</b> Common (Drain)	<b>Pin 2</b> Data (-)	<b>Pin 3</b> Data (+)	<b>Pin 4</b> Not Used	<b>Pin 5</b> Not Used	<b>Data In</b> Cable Pinout
<p>Male Conn</p>						<p>Female Conn</p>

**Figure 4: PLPROFILE1 MKII LED Luminaires - DMX512 Connections**

## 4. Mounting

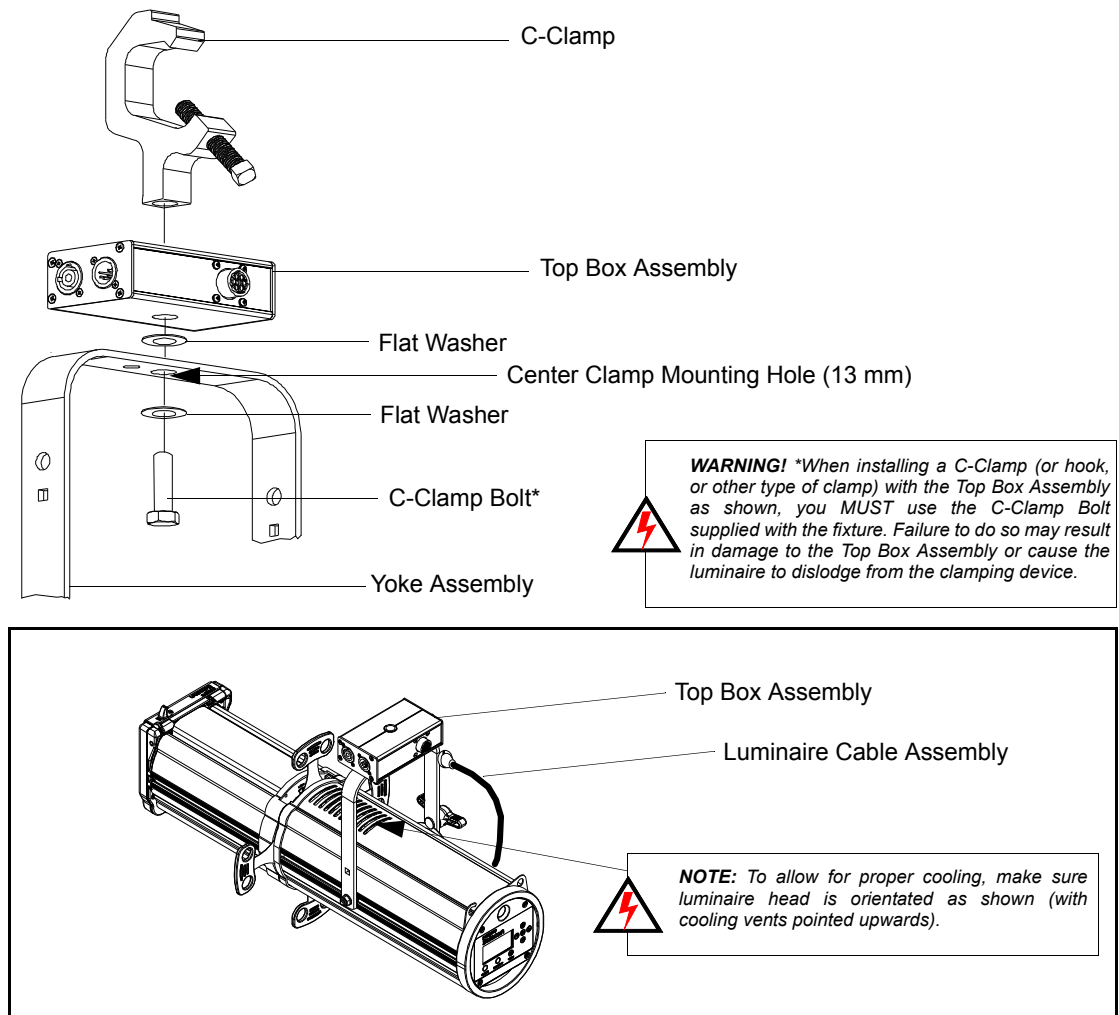


**WARNING!** Before attempting any installation or service, disconnect all power at power source. Dimming the luminaire does not disconnect power. Installation and service should only be performed by a trained and qualified professional.

### Using Supplied C-Clamp

As illustrated in [Figure 5](#), at yoke assembly, thread clamp mounting bolt (with washer installed) through center clamp mounting hole at top of yoke, through Top Box Assembly, and thread bolt into C-Clamp. Securely tighten bolt (by hand) into clamp (but do not over-tighten).

**Note:** Top box will be able to swivel once bolt is tightened by design. **DO NOT OVER-TIGHTEN!**



**Figure 5: Luminaire Mounting**

To mount on a telescopic stand, reverse the yoke under the luminaire and bolt to stand. Please note luminaire orientation (see note in [Figure 5](#)) for proper cooling.

**Note:** After installing Clamp and Top Box assembly, connect luminaire cable assembly to Top Box Assembly before mounting luminaire. Please note that the cable connector is keyed.

## Safety Cable Use

The supplied safety cable **MUST** always be used when rigging luminaires on bars, truss, etc. (as shown in [Figure 6](#)). The supplied safety cable is recommended for all hanging installation and may be required by national and local codes. Loop or attach safety cable to luminaire safety cable anchor point as shown and attach to structure. You should always consult and follow all local and national codes and regulations for mounting and installation of luminaire.

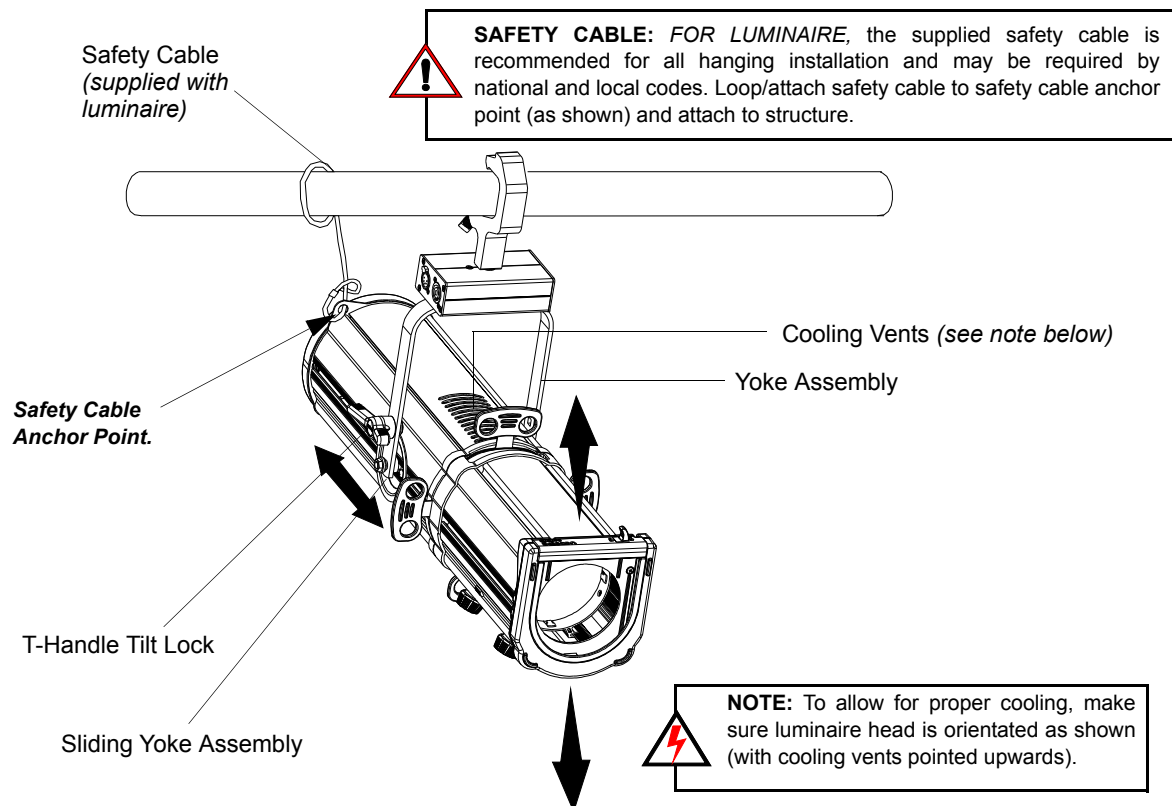
## 5. Pan and Tilt Adjustments

### Pan Adjustment

The pan adjustment of a PLPROFILE1 MKII LED Luminaire is achieved by loosening the yoke bolt of the securing clamp attached to the luminaire's yoke assembly. Loosen the bolt, set the luminaire to the desired position and re-tighten.

### Tilt Adjustment

PLPROFILE1 MKII LED Luminaires offer variable tilt settings. The unit can be set at a specific angle (in relation to its mounting position) or at an angle between 0 to 90 degrees. When the yoke is in the position shown in [Figure 6](#), you have full range access to shutters the gate etc. If you flip the yoke over some access is reduced but the over all volume the luminaire takes up is reduced. This is particularly useful in tightly hung lighting positions or in theatres with low grids.



**Figure 6: Luminaire Tilt Adjustment**

#### To adjust and set tilt angle of the luminaire:

- Step 1. Mount luminaire in desired location (see "[Mounting](#)" on page 9 for more information).
- Step 2. Loosen, but do not remove, T-Handle Tilt Lock at base of yoke assembly as shown in [Figure 6](#).
- Step 3. Position luminaire to desired tilt position.
- Step 4. Hand-tighten T-Handle Tilt Lock to set position.

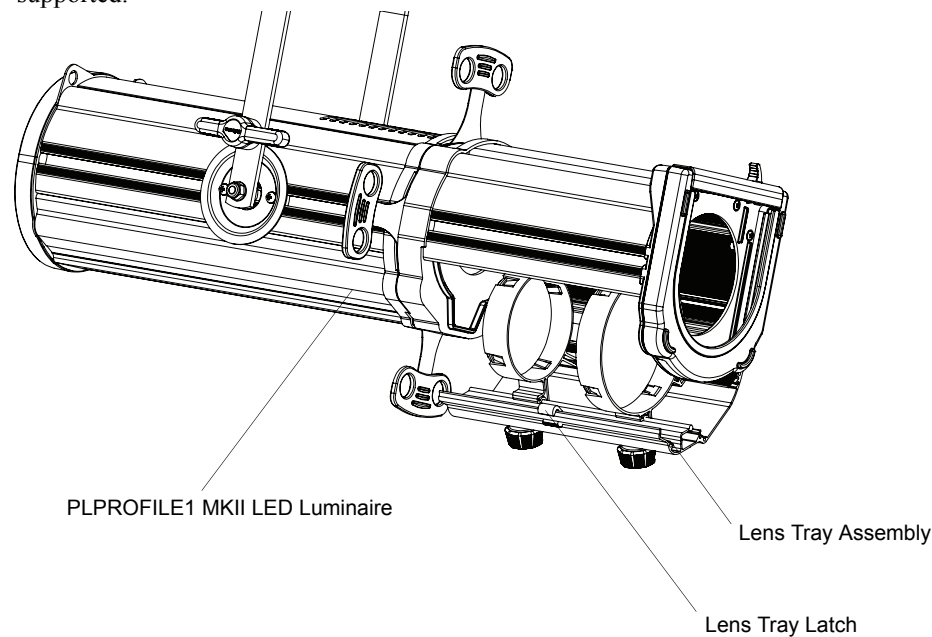
## FOCUS AND BEAM ADJUSTMENTS

### 1. Lens Tray Removal and Installation

It is easy and quick to change to the lens tray on a PLPROFILE1 MKII LED Luminaire. Zoomspot lens trays (as shown in "[PLPROFILE1 MKII LED Luminaire Zoomspot Lenses](#)" on page 4) are interchangeable.

**To remove and install lens tubes:**

- Step 1. Before proceeding, it is recommended to move the zoom and focus lenses towards the center of the lens tray assembly (away from the front and back edges).
- Step 2. Unlatch lens tray as illustrated [Figure 7](#). Be careful as the lens tray assembly will swing open if not properly supported.



**Figure 7: Lens Tray Assembly Removal**

- Step 3. With lens tray assembly open (hanging down), lift lens tray assembly up and out of its hinged position to free it from luminaire.
- Step 4. To install perform process in reverse.



**CAUTION:** Ensure the lens tray assembly locking catch is fully engaged before putting fixture into use.

### 2. Zoom and Focus Adjustments

**To adjust zoom/beam angle and focus:**

- Step 1. Make sure all frame shutters are open (out of beam path). See "[Beam Shutter Operation](#)" on page 12 for more information.
- Step 2. As shown in [Figure 8](#), loosen Zoom Adjustment Knob and set beam angle as desired.
- Step 3. Hand-tighten Zoom Adjustment Knob to lock position.
- Step 4. Loosen Focus Adjustment Knob.
- Step 5. Move Focus Adjustment Knob along forward (or back) until beam focus is set as desired.

Step 6. Hand-tighten Focus Adjustment Knob to lock position.

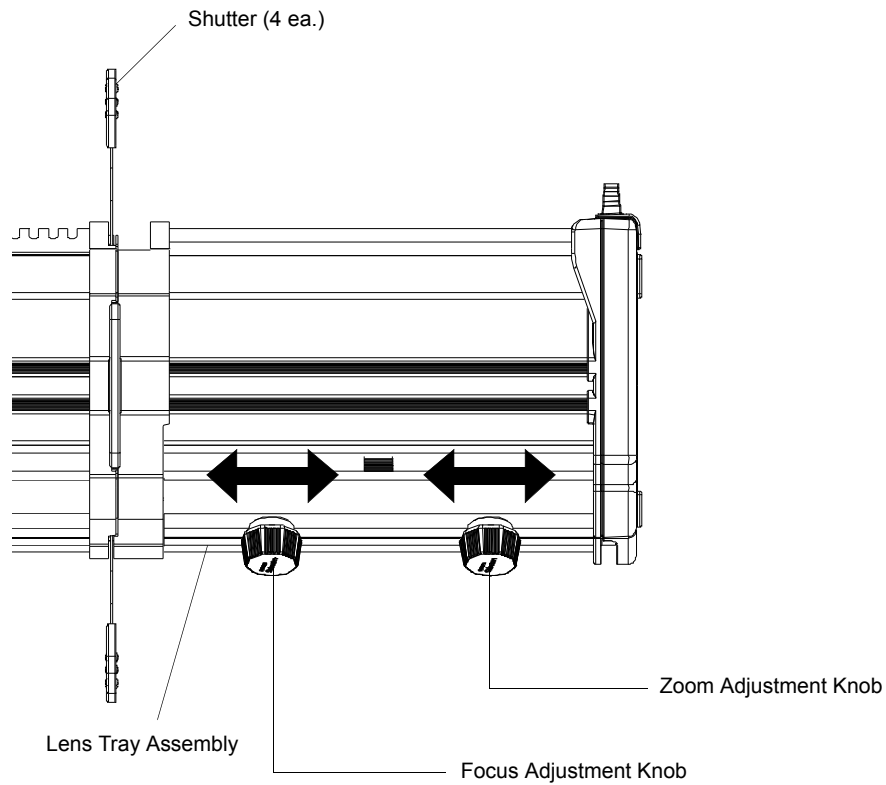


Figure 8: Zoom and Focus Adjustment Knobs

### 3. Beam Shutter Operation

Each PLPROFILE1 MKII LED Luminaire is equipped with four independent shutters (as shown in Figure 9) to block or shape light as desired. After the luminaire is installed and positioned, move the shutters in or out as desired.

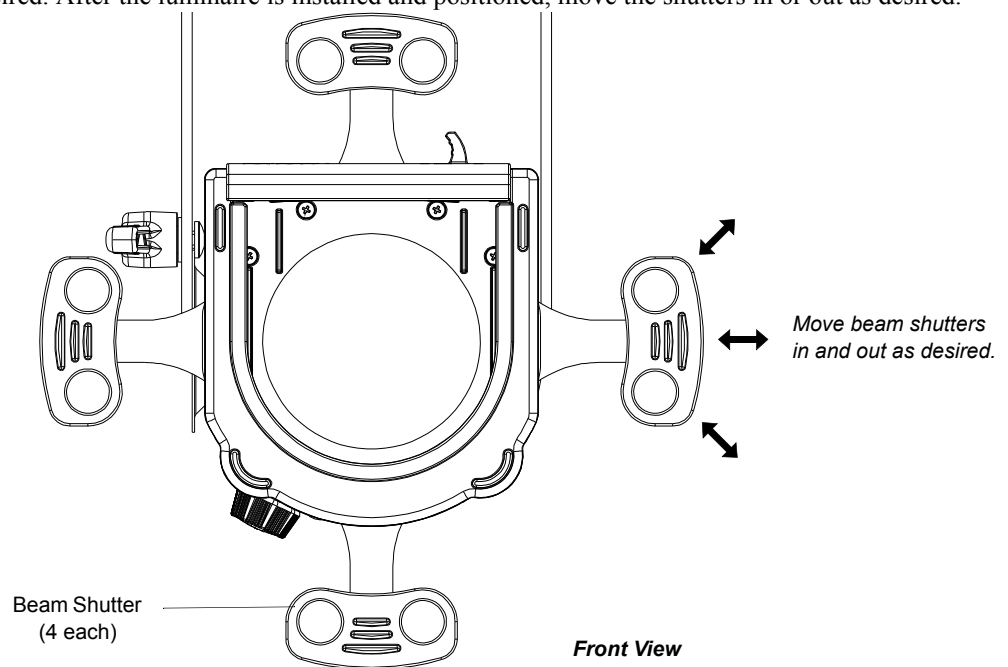


Figure 9: PLPROFILE1 MKII LED Luminaire Beam Shutters

## 4. Gobo/Iris Access Panel

Each PLPROFILE1 MKII LED Luminaire is capable of holding one gobo holder, containing one "M" size glass or steel gobo. PLPROFILE1 MKII LED Luminaires are not supplied gobo holders or an iris. These items can be purchased from your local Authorized Dealer. For more information, refer to "[PLPROFILE1 MKII LED Luminaire Imaging Accessories](#)" on page 4.

### To install or change a gobo:

- Step 1. As shown in [Figure 10](#), locate gobo/iris access slot.
- Step 2. Install gobo into gobo holder in desired orientation.
- Step 3. Slide gobo holder into luminaire gobo slot making sure to "catch" slots in interior of gobo slot closest to shutters.

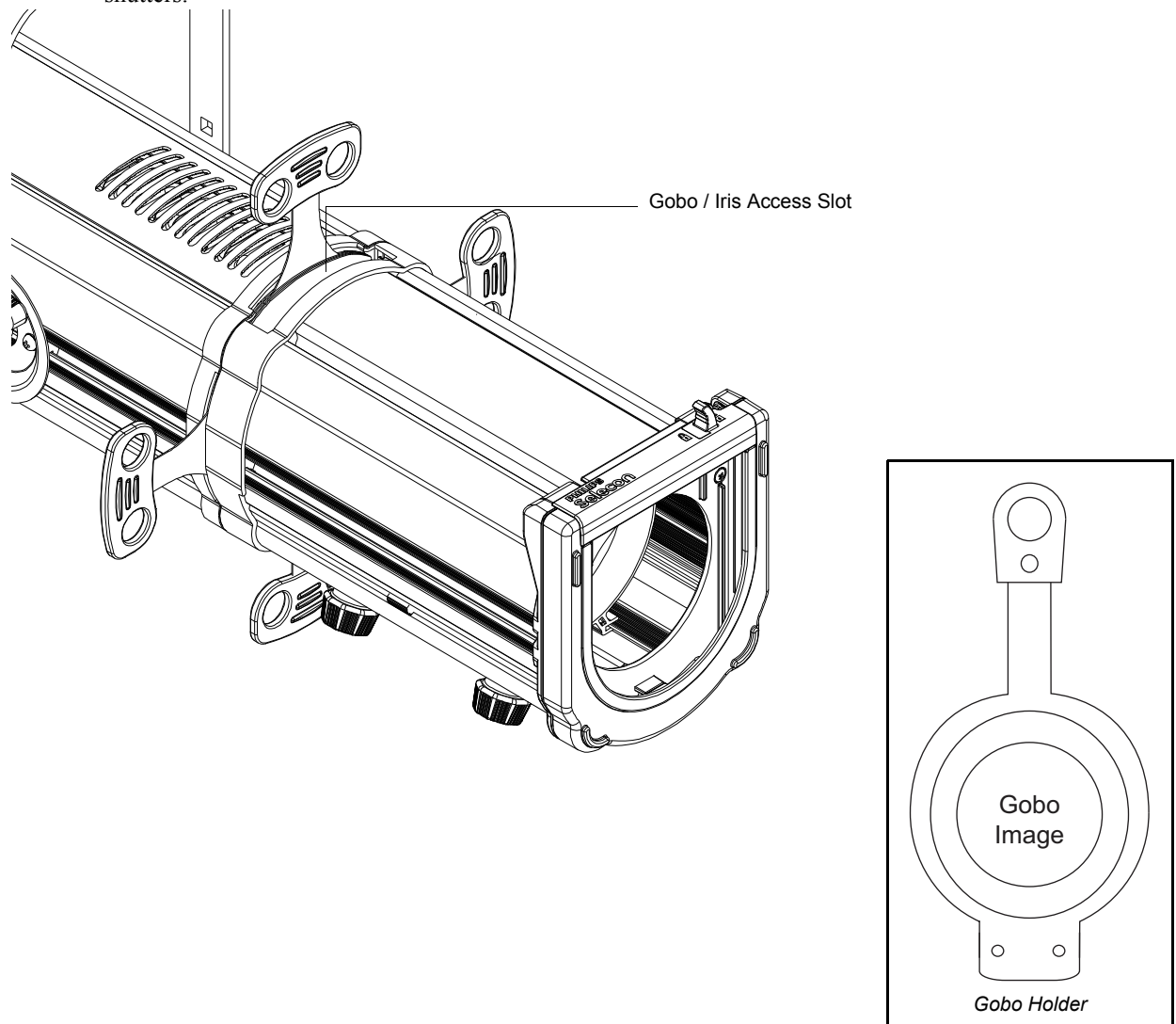


Figure 10: PLPROFILE1 MKII LED Luminaire Gobo Holder and Gobo Installation

# OPERATION AND PROGRAMMING

## 1. LCD Menu Operation

The PLPROFILE1 MKII LED Luminaire's LCD Display and Menu System provides local control for accessing all the fixture's status information, menu options, and settings.

**Note:** If there are multiple luminaires in a system, changes would need to be made at each LCD Menu as desired.

Upon power up, the LCD will display the main screen showing the product type/name. If DMX is enabled, the programmed address will appear after power up.

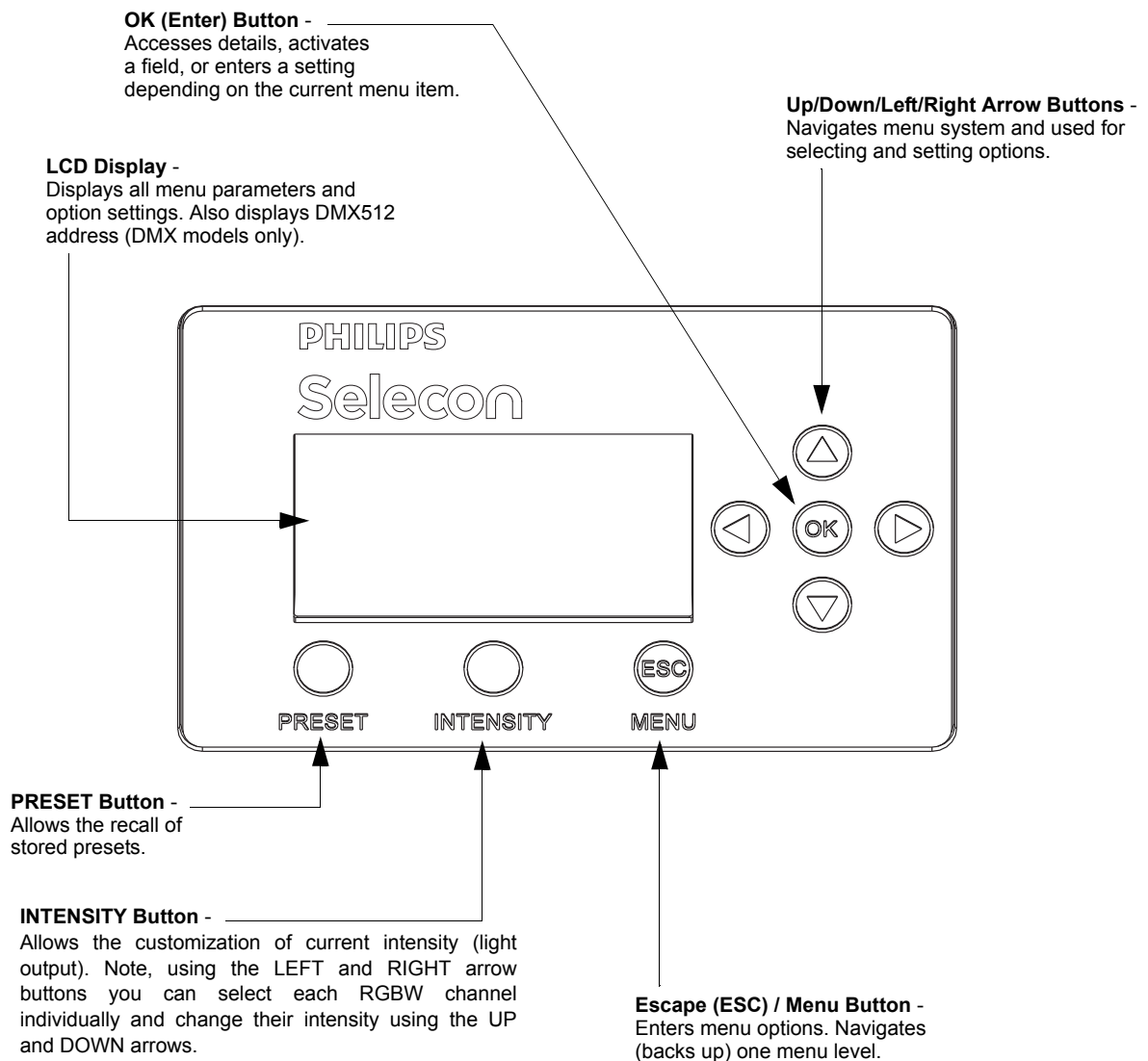


Figure 11: LCD Display and Menu System

## 2. LCD Menu System

The LCD Display Menu system consists of several categories. Use the four arrow buttons as required (refer to **Figure 11 on page 14**) to access and make changes to the menu items. When the desired menu item is reached, press [OK] to display the menu options. Use navigation and [OK] buttons to view status and configure the LCD Menu as required.

---

**Note:** Refer to "[Menu Structure](#)" on page 16 for complete structure and settings.

---

### To navigate and access menu settings/selections:

Step 1. At Main Menu, press [ESC] / [MENU] button once. Another window will appear with sub-menu categories:

- Save as Preset
- Edit a Preset
- Color Mixer
- Settings
- Lock Fixture
- Fixture Status
- Normalize Colors

Step 2. Press [OK] at desired menu item to access and make changes.

Step 3. Make changes as desired.

---

**Note:** When DMX512 signal is present, **Edit Preset** and **Color Mixer** options will not appear in menu structure.

---

### To navigate fixture status menus:

Step 1. At default screen, press LEFT or RIGHT arrow button once. The default menu screen will change to allow for quick reference to the following items (note, depending on which arrow button is pressed, status screens may appear in reverse order):

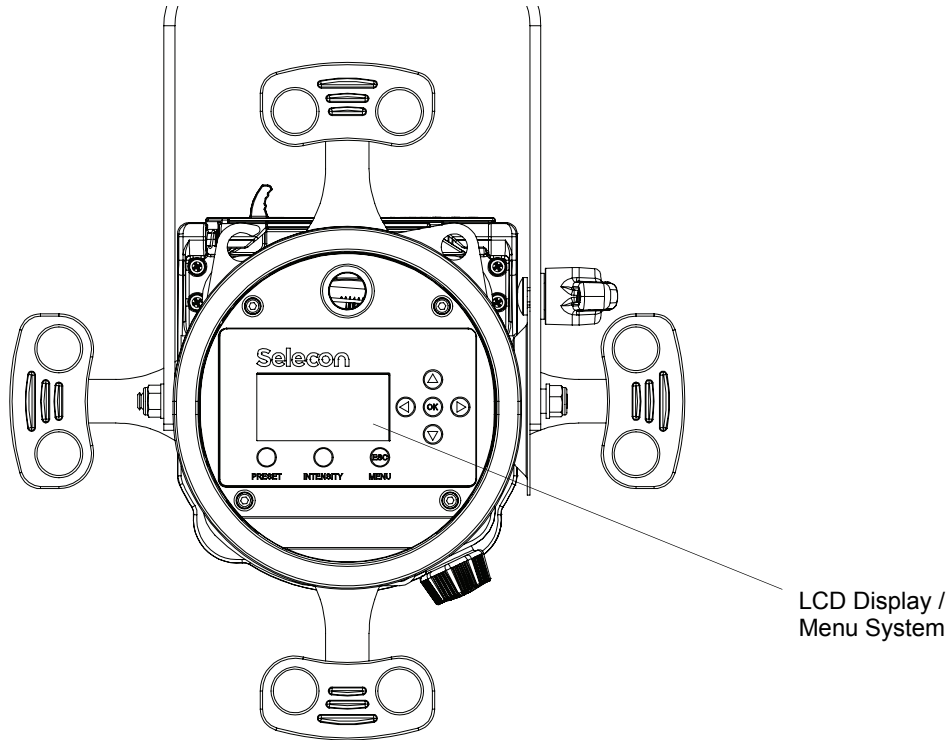
- a. **DMX Address** (note, if fixture is UNLOCKED, hit [OK] to change DMX address).
- b. **Fixture Hours** (displays fixture operating hours since last reset).
- c. **Fixture Power** (displays Max Power Limit setting (in Watts), Present Power consumed by fixture (in Watts), and Hours of Use).
- d. **Fixture Status** (displays current operational temperature, LED status, and fan speed setting).

Step 2. Press LEFT or RIGHT arrow buttons to scroll through status screens.

Step 3. Press [ESC] at anytime to access Main Menu.

### 3. Menu Structure

**Note:** See "To navigate and access menu settings/selections:" on page 15 to learn how to access menus. To save changes, hit [OK]. Press [ESC] to cancel any changes you made.



#### MAIN MENU

##### Save a Preset

Sub Menu	Options	Comments
Select Preset to Save - (Option)  <i>Scrolls and sets current user-defined color mix to various recallable presets in the fixture using arrow buttons.</i>  <i>Note: To edit a current (set) preset, see Edit Presets.</i>	Off	Users can: <ul style="list-style-type: none"> <li>Save the current settings (look) to a specific recallable Preset in the fixture's memory.</li> <li>Edit the levels (values) for Red, Green, Blue, White, and Intensity values (in percent%) by using the arrow buttons. Once the values are adjusted, the preset is saved as desired.</li> </ul> *Only intensities may be stored on White Color Temperature presets. RGBW in these presets cannot be edited or changed.
	Scratch Pad	
	Warm White*	
	Cool White*	
	Day Light*	
	Preset X (5 through 31)	

Continued next page

## Menu Structure (continued)

Continued from previous page

### Edit a Preset

Sub Menu	Options	Comments
Select Preset to Edit - (Option)  Selects a current preset and outputs the preset, so preset can be edited.  Note: To save a specific look of the fixture, see <i>Save Presets</i> .  For additional information, refer to "Presets" on page 19.	Off	Users can: <ul style="list-style-type: none"> <li>Edit the current settings (look) to a specific recallable Preset in the fixture's memory.</li> <li>Edit the values for Red, Green, Blue, White, and Intensity values (in percent%) by using the arrow buttons.</li> <li>Once the values are adjusted, the "Save Preset" menu option appears to save the edits.</li> </ul> NOTES: *Only intensities may be stored on White Color Temperature presets. RGBW in these presets cannot be edited or changed.  **If a Calibrated Preset's Color Mix is changed (5 thru 25), an asterisk "*" is appended to the end of the name to indicate that it has been modified. This only happens if the name matches the original calibrated name, stored in EEPROM. This does not happen if the Intensity is changed, only the color mix.
	Scratch Pad	
	Warm White*	
	Cool White*	
	Day Light*	
	Preset X (5 through 31)**	

Note: When DMX512 signal is present, Edit a Preset option will not appear in menu structure.

### Color Mixer

Sub Menu	Options	Comments
Select Color or Intensity to Adjust - (Option)	Red	Users can: <ul style="list-style-type: none"> <li>Edit Red, Green, Blue, White, and Intensity values (in percent%) by using the arrow buttons.</li> <li>Once the values are adjusted, press [OK] to save the edits to scratch pad.</li> </ul>
	Green	
	Blue	
	White	
	Intensity	

Note: When DMX512 signal is present, Color Mix option will not appear in menu structure.

### Settings

Sub Menu	Options	Comments
SETTINGS - (Option)  Scrolls and sets the various fixture settings using arrow buttons.	See "Settings" on page 19 for details.	

Continued next page

## Menu Structure (continued)

Continued from previous page

<b>Lock Fixture</b>		
<i>Sub Menu</i>	<i>Options</i>	<i>Comments</i>
Enter PIN	Lock / Are you sure?	Use arrow buttons to make selection. Press [OK] to accept. Note, a PIN code must be established (set) in order to lock a fixture. Locking the fixture will disable access to changing menu settings. For details, refer to "Security" on page 18.
<b>Fixture Status</b>		
<i>Sub Menu</i>	<i>Options</i>	<i>Comments</i>
LED Status Information  <i>Scrolls through the various levels. Depending on the arrow button pressed, the screens may appear in a different order that shown in "Options".</i>	LED 1	Displays LED's current status (in percentage%) of Intensity, Red, Green, Blue, and White elements of the LED). Fan Speed, operational LED junction temperature, power settings.
	Levels	Displays DMX levels for each LED element (Red, Green, Blue, and White) and total power.
<b>Normalize Colors</b>		
<i>Sub Menu</i>	<i>Options</i>	<i>Comments</i>
Normalize Colors	Adjustment of RGBW Intensities	Allows for fine adjustments to color intensities for near perfect color matching.

## 4. Security

Unwanted changes to the Fixture's Configuration or Setting can be controlled by locking the fixture's menu.

PLPROFILE1 MKII LED Luminaires are shipped with a default numeric PIN code of "0000" (four zeros). Users may set their own PIN code (four-digit number) via **Settings > General > Set PIN**. When setting a PIN code, write it down and keep it in a secure location. Note, Selecon does not have records of PIN codes established by users or owners.

---

**Note:** Contact Selecon technical support if a unit is locked and the PIN code is lost for instructions on how to reset luminaire.

---



---

**Note:** If the Fixture is locked when it is powered down the fixture will remain in the locked state when powered up.

---

### Locking Fixture

#### To lock the fixture:

- Step 1. At Main Menu, press [MENU] and scroll to **Lock Fixture**. Note, default PIN is "0000" (four zeros).
- Step 2. Press [OK].
- Step 3. Enter four-digit, user-selectable, PIN code.
- Step 4. Use [LEFT ARROW] or [RIGHT ARROW] keys to highlight "YES", press [OK] or [ESC] twice to cancel action.
- Step 5. Fixture is now locked if locking process was not canceled as described in previous step.

---

**Note:** When the Fixture is Locked only the [ESC]/[MENU] key is functional. Pressing this key will display a request for a password. When a valid PIN code is entered the fixture is unlocked.

---

## 5. Presets

Presets are Color Mixes that are stored in the Fixture, they can be recalled to reproduce a specific output from the fixture. Presets are made up of a Color Mix; Red, Green, Blue, and White. They also have Intensity associated with them.

Presets can be recalled via the User interface or by a DMX channel, when under DMX control. The Preset's Intensity is applied if the User Interface is used; if DMX, the DMX Intensity channel is used for Intensity.

If the fixture is locked, Presets cannot be changed at the menu.

- Locked Presets are factory Calibrated, and their Color Mix cannot be changed by the user. Their Intensity can be changed. Three Presets 5 through 25 are Locked.
- Preset 0, the "off" preset is also Locked to the OFF value.
- If the fixture is unlocked, User Presets can have their Color Mix and Intensity changed without restriction.

---

**Note:** If the Color Mix of a Factory Calibrated Preset is changed, by turning protection Off, an '\*' is appended to the end of the Preset's Name to indicate that the Calibrated values have been changed.

---

---

**Note:** DMX will take priority over any menu selected preset.

---

## Editing Preset Names

On the Edit Preset screen, the option is available to edit the name of a preset, via Screen button. However, the names of Presets 0, 2, 3, and 4 cannot be edited. Scratch Pad, preset 1, can be changed but retains its original functionality.

Use the [LEFT ARROW] and [RIGHT ARROW] keys to select the character to be changed and use the [UP ARROW] and [DOWN ARROW] keys to change that character. The Character Scroll order is A-Z, space, 0-9. If you are scrolling up the Alpha character displays as Upper Case; if you are scrolling down the Alpha character displays as Lower Case. Stop on the character you want, ignoring case, then press the opposite [UP ARROW] or [DOWN ARROW] key if you want to change the case. [OK] to save changes, [ESC] to cancel changes.

## 6. Settings

Table 2, "Settings Menu User-Settable Parameters," on page 20 shows the user-settable parameters available in the Settings menu section.

To edit a value on the Setting Screen, use the [UP ARROW] or [DOWN ARROW] keys to move the highlight to the settings value you wish to change. Press [OK] to begin editing that value. Use the [UP ARROW], [DOWN ARROW], [LEFT ARROW] or [RIGHT ARROW] keys to make changes to the value. Press [OK] when complete to save changes, or [ESC] to cancel changes to that value.

When done making changes on the Settings Screen press [ESC] to re-boot fixture and implement changes. Fixture will not re-boot if nothing was changed.

Table 2: Settings Menu User-Settable Parameters

Parameter	Values	Default	Description
<b>General</b>			
Power, Fan	Normal Mode (120W), Studio Mode (80W), or Quiet Mode (60W)	Normal Mode	Sets the luminaire's output mode - Normal Mode (120W), Studio Mode (80W) or Quiet Mode (60W).
Power-Up	All presets	Cool White	Users can set what the default preset is when the unit is powered up. Factory default is Cool White.
Red Correct	No / Yes	No	Turns on or off red correction.
Reset Hours	No, Yes	No	Resets luminaire's operational hours.
Set PIN	####	0 0 0 0 (four zeros)	A four-digit user-settable PIN code to lock the fixture.
<b>Presets</b>			
Protected	No, 5 - 25	5 - 25	Determines if the factory Presets' Color Mix is protected from changes.
Load Factory	No, Yes	No	Reload Factory Presets, Intensity changes will also be reloaded.
<b>DMX</b>			
Address	001 to 512	001	DMX512 address. Note, it can be set if displayed.
Map	8-bit, 16-bit, or 5-Chan	16-bit	Defines size/precision of DMX map. Color Mixing/Intensity in 16-bit provides higher resolution for precision control. 5-Chan provides minimal channel usage.
When no DMX	Off, Hold, Hold 8Hr (8 hours), or No Output	Hold	If DMX is detected and then goes away, this defines what will happen to the output. At end of 8Hr hold Fixture goes to No Output setting.
<b>Display</b>			
Flip Display	No, Yes	No	Flips (inverts) Display and Keypad Arrows.
Adj Contrast	0 - 100%	50%	Use left or right arrow keys to adjust display contrast as desired.
<b>Fixture</b>			
Fixture ID	Shows Fixture Type - Profile, Cyc, or Fresnel		Shows luminaire type.

**Note:** To Exit the Settings screen, use the [ESC] key. [ESC] and [OK] can be used to cancel or save changes to an individual parameter. However, once a parameter has been accepted, by pressing [OK] that change cannot be undone/ canceled by pressing the [ESC] key.

# DMX CONTROL

This section contains information for operating the luminaire using DMX control in 16-Bit, 8-Bit, or 3-Channel (3-Chan) modes. For Menu options and detailed information, see "Settings" on page 19.

**Note:** These tables assume a DMX start address of 1. When a different starting address is used, this address becomes channel 1 function and other functions follow in sequence.

## 1. 16-Bit Mode

Table 3 provides DMX channel mapping of all DMX512 control values when the PLPROFILE1 MKII LED Luminaire is in 16-bit DMX512 mode (as set by the luminaire's menu system).

**Table 3: PLPROFILE1 MKII LED Luminaire DMX Channel Mapping (16-Bit Mode)**

DMX Channel	Parameter	Range DMX	Range%	Default - recommended console default values	Description
1	Intensity - High	0 - 65535	0 - 100%	0	16-bit control for Intensity of LED settings.
2	Intensity - Low				
3	Red - High Byte	0 - 65535	0 - 100%	0	16-bit control of Red LEDs from 0 to full.
4	Red - Low Byte				
5	Green - High Byte	0 - 65535	0 - 100%	0	16-bit control of Green LEDs from 0 to full.
6	Green - Low Byte				
7	Blue - High Byte	0 - 65535	0 - 100%	0	16-bit control of Blue LEDs from 0 to full.
8	Blue - Low Byte				
9	White - High Byte	0 - 65535	0 - 100%	0	16-bit control of White LEDs from 0 to full.
10	White - Low Byte				
11	Preset Color Selection	0 - 255	0 - 100%	0	Used to access presets stored in fixture firmware, such as CCT presets, defined gel presets, etc.  No Preset Activated = DMX 0-3 ( <i>default</i> ) Color Preset 0 (Off) = DMX 4 - 7 Color Preset 1 (Scratch Pad) = DMX 8 - 11 Color Preset 2 (Warm White) = DMX 12 - 15 Color Preset 3 (Cool White) = DMX 16 - 19 Color Preset 4 (Daylight) = DMX 20 - 23 Color Preset 5 (Arc White) = DMX 24 - 27 Color Preset 6 (Red) = DMX 28 - 31 Color Preset 7 (Yellow) = DMX 32 - 35 Color Preset 8 (Daylight Blue) = DMX 36 - 39 Color Preset 9 (Magenta) = DMX 40 - 43 Color Preset 10 (Aqua) = DMX 44 - 47 Color Preset 11 (Medium Amber) = DMX 48 - 51 Color Preset 12 (Lavender) = DMX 52 - 55 Color Preset 13 (Blue) = DMX 56 - 59 Color Preset 14 (Light Pink) = DMX 60 - 63 Color Preset 15 (Green) = DMX 64 - 67 Color Preset 16 (Pink) = DMX 68 - 71 Color Preset 17 (Amber White) = DMX 72 - 75 Color Preset 18 (Dark Fuchsia) = DMX 76 - 79 Color Preset 19 (Light Amber) = DMX 80 - 83 Color Preset 20 (Steel Blue) = DMX 84 - 87 Color Preset 21 (Lt Green/Blue) = DMX 88 - 91 Color Preset 22 (Orange) = DMX 92 - 95 Color Preset 23 (Medium Pink) = DMX 96 - 99 Color Preset 24 (Cyan) = DMX 100 - 103 Color Preset 25 (Purple) = DMX 104 - 107 Color Preset 26 (Custom) = DMX 108 - 111 Color Preset 27 (Custom) = DMX 112 - 115 Color Preset 28 (Custom) = DMX 116 - 119 Color Preset 29 (Custom) = DMX 120 - 123 Color Preset 30 (Custom) = DMX 124 - 127 Color Preset 31 (Custom) = DMX 128 - 131 No Preset Activated = DMX 253 - 255

**Table 3: PLPROFILE1 MKII LED Luminaire DMX Channel Mapping (16-Bit Mode)**

12	<i>Not used (for future use)</i>				
13	Intensity Time	0 - 255	0 - 100%	255	Allows for luminaire timing of intensity. Profile should default to DMX 255 for smoothest console fade times. Refer to " <a href="#">PLPROFILE1 MKII LED Luminaire DMX Timing Channel Detail</a> " on page 25 for more information on timing values.
14	Color Time	0 - 255	0 - 100%	255	Allows for luminaire timing of LEDs. Profile should default to DMX 255 for smoothest console fade times. Refer to " <a href="#">PLPROFILE1 MKII LED Luminaire DMX Timing Channel Detail</a> " on page 25 for more information on timing values.
15	Control	0 - 255	0 - 100%	0	<p>Used to set different modes, parameters, and functions of the luminaire. Set control channel value for desired action. Hold value for at least 3 seconds. Set control channel value to 0 without any scaling.</p> <p>Default Setting on Console = DMX 0                      Display On/Off = DMX 3 - 4                      Reset All Settings to Defaults* = DMX 5 - 7                      Quiet Mode = DMX 8 - 10                      Studio Mode = DMX 11 - 13                      Normal Mode* = DMX 14 - 15                      Preset 1 Store = DMX 20 - 21                      Preset 2 Store (Intensity Only) = DMX 22 - 23                      Preset 3 Store (Intensity Only) = DMX 24 - 25                      Preset 4 Store (Intensity Only) = DMX 26 - 27                      Preset 5 Store = DMX 28 - 29                      Preset 6 Store = DMX 30 - 31                      Preset 7 Store = DMX 32 - 33                      Preset 8 Store = DMX 34 - 35                      Preset 9 Store = DMX 36 - 37                      Preset 10 Store = DMX 38 - 39                      Preset 11 Store = DMX 40 - 41                      Preset 12 Store = DMX 42 - 43                      Preset 13 Store = DMX 44 - 45                      Preset 14 Store = DMX 46 - 47                      Preset 15 Store = DMX 48 - 49                      Preset 16 Store = DMX 50 - 51                      Preset 17 Store = DMX 52 - 53                      Preset 18 Store = DMX 54 - 55                      Preset 19 Store = DMX 56 - 57                      Preset 20 Store = DMX 58 - 59                      Preset 21 Store = DMX 60 - 61                      Preset 22 Store = DMX 62 - 63                      Preset 23 Store = DMX 64 - 65                      Preset 24 Store = DMX 66 - 67                      Preset 25 Store = DMX 68 - 69                      Preset 26 Store = DMX 70 - 71                      Preset 27 Store = DMX 72 - 73                      Preset 28 Store = DMX 74 - 75                      Preset 29 Store = DMX 76 - 77                      Preset 30 Store = DMX 78 - 79                      Preset 31 Store = DMX 80 - 81                      Preset 32 Store = DMX 82 - 83</p> <p>Color Normalization ON* = DMX 100 - 103                      Color Normalization OFF = DMX 104 - 107                      Fixture Reset = DMX 108 - 112                      Red Correction ON* = DMX 113 - 115                      Red Correction OFF = DMX 116 - 118</p> <p><b>NOTE: * - Denotes default settings and return to default when performing control channel values 5 - 7.</b></p>

## 2. 8-Bit Mode

Table 2-1 provides DMX channel mapping of all DMX512 control values when the PLPROFILE1 MKII LED Luminaire is in 8-bit DMX512 mode (as set by the luminaire's menu system).

**Table 2-1: PLPROFILE1 MKII LED Luminaire DMX Channel Mapping (8-Bit Mode)**

DMX Channel	Parameter	Range DMX	Range%	Default - recommended console default values	Description
1	Intensity	0 - 255	0 - 100%	0	8-bit control for Intensity of LED settings.
2	Red	0 - 255	0 - 100%	0	8-bit control of Red LEDs from 0 to full.
3	Green	0 - 255	0 - 100%	0	8-bit control of Green LEDs from 0 to full.
4	Blue	0 - 255	0 - 100%	0	8-bit control of Blue LEDs from 0 to full.
5	White	0 - 255	0 - 100%	0	8-bit control of White LEDs from 0 to full.
6	Preset Color Selection	0 - 255	0 - 100%	0	Used to access presets stored in fixture firmware, such as CCT presets, defined gel presets, etc.  No Preset Activated = DMX 0-3 ( <i>default</i> ) Color Preset 0 (Off) = DMX 4 - 7 Color Preset 1 (Scratch Pad) = DMX 8 - 11 Color Preset 2 (Warm White) = DMX 12 - 15 Color Preset 3 (Cool White) = DMX 16 - 19 Color Preset 4 (Daylight) = DMX 20 - 23 Color Preset 5 (Arc White) = DMX 24 - 27 Color Preset 6 (Red) = DMX 28 - 31 Color Preset 7 (Yellow) = DMX 32 - 35 Color Preset 8 (Daylight Blue) = DMX 36 - 39 Color Preset 9 (Magenta) = DMX 40 - 43 Color Preset 10 (Aqua) = DMX 44 - 47 Color Preset 11 (Medium Amber) = DMX 48 - 51 Color Preset 12 (Lavender) = DMX 52 - 55 Color Preset 13 (Blue) = DMX 56 - 59 Color Preset 14 (Light Pink) = DMX 60 - 63 Color Preset 15 (Green) = DMX 64 - 67 Color Preset 16 (Pink) = DMX 68 - 71 Color Preset 17 (Amber White) = DMX 72 - 75 Color Preset 18 (Dark Fuchsia) = DMX 76 - 79 Color Preset 19 (Light Amber) = DMX 80 - 83 Color Preset 20 (Steel Blue) = DMX 84 - 87 Color Preset 21 (Lt Green/Blue) = DMX 88 - 91 Color Preset 22 (Orange) = DMX 92 - 95 Color Preset 23 (Medium Pink) = DMX 96 - 99 Color Preset 24 (Cyan) = DMX 100 - 103 Color Preset 25 (Purple) = DMX 104 - 107 Color Preset 26 (Custom) = DMX 108 - 111 Color Preset 27 (Custom) = DMX 112 - 115 Color Preset 28 (Custom) = DMX 116 - 119 Color Preset 29 (Custom) = DMX 120 - 123 Color Preset 30 (Custom) = DMX 124 - 127 Color Preset 31 (Custom) = DMX 128 - 131 No Preset Activated = DMX 253 - 255
7	<i>Not used (for future use)</i>				
8	Timing	0 - 255	0 - 100%	255	Allows for timing control of both the intensity and color parameters. Channel should default to 255 for smoothest actions using console and/or manual fades. Refer to " <a href="#">PLPROFILE1 MKII LED Luminaire DMX Timing Channel Detail</a> " on <a href="#">page 25</a> for more information.

**Table 2-1: PLPROFILE1 MKII LED Luminaire DMX Channel Mapping (8-Bit Mode)**

9	Control	0 - 255	0 - 100%	0	<p>Used to set different modes, parameters, and functions of the luminaire. Set control channel value for desired action. Hold value for at least 3 seconds. Set control channel value to 0 without any scaling.</p> <p>Default Setting on Console = DMX 0                  Display On/Off = DMX 3 - 4                  Reset All Settings to Defaults* = DMX 5 - 7                  Quiet Mode = DMX 8 - 10                  Studio Mode = DMX 11 - 13                  Normal Mode* = DMX 14 - 15                  Preset 1 Store = DMX 20 - 21                  Preset 2 Store (Intensity Only) = DMX 22 - 23                  Preset 3 Store (Intensity Only) = DMX 24 - 25                  Preset 4 Store (Intensity Only) = DMX 26 - 27                  Preset 5 Store = DMX 28 - 29                  Preset 6 Store = DMX 30 - 31                  Preset 7 Store = DMX 32 - 33                  Preset 8 Store = DMX 34 - 35                  Preset 9 Store = DMX 36 - 37                  Preset 10 Store = DMX 38 - 39                  Preset 11 Store = DMX 40 - 41                  Preset 12 Store = DMX 42 - 43                  Preset 13 Store = DMX 44 - 45                  Preset 14 Store = DMX 46 - 47                  Preset 15 Store = DMX 48 - 49                  Preset 16 Store = DMX 50 - 51                  Preset 17 Store = DMX 52 - 53                  Preset 18 Store = DMX 54 - 55                  Preset 19 Store = DMX 56 - 57                  Preset 20 Store = DMX 58 - 59                  Preset 21 Store = DMX 60 - 61                  Preset 22 Store = DMX 62 - 63                  Preset 23 Store = DMX 64 - 65                  Preset 24 Store = DMX 66 - 67                  Preset 25 Store = DMX 68 - 69                  Preset 26 Store = DMX 70 - 71                  Preset 27 Store = DMX 72 - 73                  Preset 28 Store = DMX 74 - 75                  Preset 29 Store = DMX 76 - 77                  Preset 30 Store = DMX 78 - 79                  Preset 31 Store = DMX 80 - 81                  Preset 32 Store = DMX 82 - 83</p> <p>Color Normalization ON* = DMX 100 - 103                  Color Normalization OFF = DMX 104 - 107                  Fixture Reset = DMX 108 - 112                  Red Correction ON* = DMX 113 - 115                  Red Correction OFF = DMX 116 - 118</p> <p><b>NOTE: * - Denotes default settings and return to default when performing control channel values 5 - 7.</b></p>
---	---------	---------	----------	---	---

### 3. DMX 5-Channel (5-Chan) Mode

Table 2-2 provides DMX channel mapping of all DMX512 control values when the PLPROFILE1 MKII LED Luminaire is in 5-Channel (5-Chan) DMX512 mode (as set by the luminaire's menu system).

**Note:** This mode is for the simplest control of the luminaire's LEDs and intensity for limited control consoles and controllers.

**Table 2-2: PLPROFILE1 MKII LED Luminaire DMX Channel Mapping (5-Chan Mode)**

DMX Channel	Parameter	Range DMX	Range%	Default - recommended console default values	Description
1	Intensity	0 - 255	0 - 100%	0	8-bit control for Intensity of LED settings.
2	Red	0 - 255	0 - 100%	0	8-bit control Red LEDs.
3	Green	0 - 255	0 - 100%	0	8-bit control Green LEDs.
4	Blue	0 - 255	0 - 100%	0	8-bit control Blue LEDs.
5	White	0 - 255	0 - 100%	0	8-bit control White LEDs.

### 4. PLPROFILE1 MKII LED Luminaire DMX Timing Channel Detail

Timing channel control improves the timed moves of certain groups of parameters. The PLPROFILE1 MKII LED Luminaire provides two timing channels in 16-bit mode (one for intensity time and one for color time) and one timing channel in 8-bit (color and intensity timing combined). The luminaire uses its timing channel value to calculate a smooth continuous operation for a given time and transition.

#### Guidelines:

- Timing channels support time values from zero to 169 seconds.
- To use a timing channel instead of console timing, it is recommended to set the timing channel to the desired value and set cue and/or console cue fade time to zero. A combination of time controls can produce unexpected results.
- The default value setting in the profile should be 255 (proportional control) to allow smooth operation when using console timing.
- The timing channel data should change as a snap. A zero value will give the fastest operation, however, without any smoothing this can appear "steppy" in console timed moves.

**Table 3: PLPROFILE1 MKII LED Luminaire Timing Channel Detail**

% Value	DMX	= Seconds
	0	0 (Full Speed)
	1	0.2
	2	0.4
1	3	0.6
	4	0.8
2	5	1
	6	1.2
	7	1.4
3	8	1.6
	9	1.8
4	10	2
	11	2.2

<b>% Value</b>	<b>DMX</b>	<b>= Seconds</b>
	12	2.4
5	13	2.6
	14	2.8
6	15	3
	16	3.2
	17	3.4
7	18	3.6
	19	3.8
8	20	4
	21	4.2
	22	4.4
9	23	4.6
	24	4.8
10	25	5
	26	5.2
	27	5.4
11	28	5.6
	29	5.8
	30	6
12	31	6.2
	32	6.4
13	33	6.6
	34	6.8
	35	7.0
14	36	7.2
	37	7.4
15	38	7.6
	39	7.8
	40	8
16	41	8.2
	42	8.4
17	43	8.6
	44	8.8
	45	9
18	46	9.2
	47	9.4
19	48	9.6
	49	9.8
	50	10
20	51	10.2
	52	10.4
	53	10.6
21	54	10.8
	55	11
22	56	11.2
	57	11.4
	58	11.6
23	59	11.8
	60	12
24	61	12.2

% Value	DMX	= Seconds
	62	12.4
	63	12.6
25	64	12.8
	65	13
26	66	13.2
	67	13.4
	68	13.6
27	69	13.8
	70	14
28	71	14.2
	72	14.4
	73	14.6
29	74	14.8
	75	15
30	76	15.2
	77	15.4
	78	15.6
31	79	15.8
	80	16
	81	16.2
32	82	16.4
	83	16.6
33	84	16.8
	85	17
	86	17.2
34	87	17.4
	88	17.6
35	89	17.8
	90	18
	91	18.2
36	92	18.4
	93	18.6
37	94	18.8
	95	19
	96	19.2
38	97	19.4
	98	19.6
39	99	19.8
	100	20
	101	21
40	102	22
	103	23
	104	24
41	105	25
	106	26
42	107	27
	108	28
	109	29
43	110	30
	111	31
44	112	32
	113	33
	114	34
45	115	35

<b>% Value</b>	<b>DMX</b>	<b>= Seconds</b>
	116	36
46	117	37
	118	38
	119	39
47	120	40
	121	41
48	122	42
	123	43
	124	44
49	125	45
	126	46
	127	47
50	128	48
	129	49
51	130	50
	131	51
	132	52
52	133	53
	134	54
53	135	55
	136	56
	137	57
54	138	58
	139	59
55	140	60
	141	61
	142	62
56	143	63
	144	64
57	145	65
	146	66
	147	67
58	148	68
	149	69
59	150	70
	151	71
	152	72
60	153	73
	154	74
	155	75
61	156	76
	157	77
62	158	78
	159	79
	160	80
63	161	81
	162	82
64	163	83
	164	84
	165	85
65	166	86
	167	87
66	168	88
	169	89

<b>% Value</b>	<b>DMX</b>	<b>= Seconds</b>
	170	90
67	171	91
	172	92
68	173	93
	174	94
	175	95
69	176	96
	177	97
	178	98
70	179	99
	180	100
71	181	101
	182	102
	183	103
72	184	104
	185	105
73	186	106
	187	107
	188	108
74	189	109
	190	110
75	191	111
	192	112
	193	113
76	194	114
	195	115
77	196	116
	197	117
	198	118
78	199	119
	200	120
79	201	121
	202	122
	203	123
80	204	124
	205	125
81	206	126
	207	127
	208	128
82	209	129
	210	130
	211	131
83	212	132
	213	133
84	214	134
	215	135
	216	136
85	217	137
	218	138
86	219	139
	220	140
	221	141
87	222	142
	223	143

% Value	DMX	= Seconds
88	224	144
	225	145
	226	146
89	227	147
	228	148
	229	149
90	230	150
	231	151
91	232	152
	233	153
	234	154
92	235	155
	236	156
93	237	157
	238	158
	239	159
94	240	160
	241	161
95	242	162
	243	163
	244	164
96	245	165
	246	166
97	247	167
	248	168
	249	169
98	250*	60mS
	251*	80mS
99	252*	100mS
	253*	120mS
	254*	140mS
100	255* (default)	160mS

---

**Note:** \* DMX values 250 to 255 provide smoothing when using console fade timing. DMX value 255 (recommended default) will provide the smoothest timing.

---

## 5. PLPROFILE1 MKII LED Luminaire RDM Parameter IDs

The following tables outline and describe all the RDM parameters IDs associated with PLPROFILE1 MKII LED Luminaires.

- Table 4, “PLPROFILE1 MKII LED Luminaire RDM Product Parameters IDs”
- Table 5, “PLPROFILE1 MKII LED Luminaire RDM UID”
- Table 6, “PLPROFILE1 MKII LED Luminaire RDM Parameters IDs”
- Table 7, “PLPROFILE1 MKII LED Luminaire RDM Manufacturer Status IDs,” on page 33

**Table 4: PLPROFILE1 MKII LED Luminaire RDM Product Parameters IDs**

Model ID	Manufacturer	Model Description	Product Category
0X008C	Selecon	PL ZoomSpot MK2	0X0101

**Table 5: PLPROFILE1 MKII LED Luminaire RDM UID**

UID					
MSB of ESTA 50H	LSB of ESTA 41H	1st of Unique Seq.	2nd of Unique Seq.	3rd of Unique Seq.	4th of Unique Seq.

**Table 6: PLPROFILE1 MKII LED Luminaire RDM Parameters IDs**

Get Allowed	Set Allowed	RDM Parameter IDs	Value	Comment	Implemented
<i>Category - Network Management</i>					
		DISC_UNIQUE_BRANCH	0x0001		■
		DISC_MUTE	0x0002		■
		DISC_UN_MUTE	0x0003		■
■		PROXIED_DEVICES	0x0010		
■		PROXIED_DEVICES_COUNT	0x0011		
■	■	COMMS_STATUS	0x0015		
<i>Category - Status Collection</i>					
■		QUEUED_MESSAGE	0x0020		■
■		STATUS_MESSAGES	0x0030		■
■		STATUS_ID_DESCRIPTION	0x0031		■
	■	CLEAR_STATUS_ID	0x0032		■
■	■	SUB_DEVICE_STATUS_REPORT_THRESHOLD	0x0033		
<i>Category - RDM Information</i>					
■		SUPPORTED_PARAMETERS	0x0050	Support required only if supporting Parameters beyond the minimum required set.	■
■		PARAMETER_DESCRIPTION	0x0051	Support required for Manufacturer-Specific PIDs exposed in SUPPORTED_PARAMETERS message.	■
<i>Category - Product Information</i>					
■		DEVICE_INFO	0x0060		■
■		PRODUCT_DETAIL_ID_LIST	0x0070		
■		DEVICE_MODEL_DESCRIPTION	0x0080		■

Table 6: PLPROFILE1 MKII LED Luminaire RDM Parameters IDs

Get Allowed	Set Allowed	RDM Parameter IDs	Value	Comment	Implemented
■		MANUFACTURER_LABEL	0x0081		■
■	■	DEVICE_LABEL	0x0082		■
■	■	FACTORY_DEFAULTS	0x0090		■
■		LANGUAGE_CAPABILITIES	0x00A0		
■	■	LANGUAGE	0x00B0		
■		SOFTWARE_VERSION_LABEL	0x00C0		■
■		BOOT_SOFTWARE_VERSION_ID	0x00C1		
■		BOOT_SOFTWARE_VERSION_LABEL	0x00C2		
<b>Category - DMX512 Setup</b>					
■	■	DMX_PERSONALITY	0x00E0		■
■		DMX_PERSONALITY_DESCRIPTION	0x00E1		■
■	■	DMX_START_ADDRESS	0x00F0	<i>Required if device uses a DMX Slot</i>	■
■		SLOT_INFO	0x0120		■
■		SLOT_DESCRIPTION	0x0121		■
■		DEFAULT_SLOT_VALUE	0x0122		
<b>Category - Sensors 0x02xx</b>					
■		SENSOR_DEFINITION	0x0200		■
■	■	SENSOR_VALUE	0x0201		■
	■	RECORD_SENSORS	0x0202		
<b>Category - Dimmer Settings 0x03xx - FUTURE USE</b>					
<b>Category - Power / Lamp Settings 0x04xx</b>					
■	■	DEVICE_HOURS	0x0400		
■	■	LAMP_HOURS	0x0401		
■	■	LAMP_STRIKES	0x0402		
■	■	LAMP_STATE	0x0403		
■	■	LAMP_ON_MODE	0x0404		
■	■	DEVICE_POWER_CYCLES	0x0405		
<b>Category - Display Settings 0x05xx</b>					
■	■	DISPLAY_INVERT	0x0500		■
■	■	DISPLAY_LEVEL	0x0501		
<b>Category - Configuration 0x06xx</b>					
■	■	PAN_INVERT	0x0600		
■	■	TILT_INVERT	0x0601		
■	■	PAN_TILT_SWAP	0x0602		
■	■	REAL_TIME_CLOCK	0x0603		
<b>Category - Control 0x10xx</b>					
■	■	IDENTIFY_DEVICE	0x1000		■
	■	RESET_DEVICE	0x1001		■
■	■	POWER_STATE	0x1010		
■	■	PERFORM_SELFTEST	0x1020		
■		SELF_TEST_DESCRIPTION	0x1021		
	■	CAPTURE_PRESET	0x1030		

Table 6: PLPROFILE1 MKII LED Luminaire RDM Parameters IDs

Get Allowed	Set Allowed	RDM Parameter IDs	Value	Comment	Implemented
■	■	PRESET_PLAYBACK	0x1031		

Table 7: PLPROFILE1 MKII LED Luminaire RDM Manufacturer Status IDs

Manufacturer Specific messages are in the range of 0x8000 - 0xFFDF. Each Manufacturer-specific Status ID shall have a unique meaning, which shall be consistent across all products having a given Manufacturer ID. See Table B-2, ANSI E1.20-2010.

Status ID Message	Value	Data Value 1	Data Value 2	Status ID Description
8100H		00H	00H	ALL OK

# CLEANING AND CARE

---



**WARNING!** All cleaning should be performed with power completely removed from the luminaire. Never remove protective covers when luminaire is powered. Wear appropriate protective eye wear and gloves when cleaning the fixture. All service and maintenance, other than described herein, should be performed by a qualified technician or Authorized Service Center.

---

## 1. Special Cleaning and Care Instructions

Being a solid-state fixture, and unlike most fixtures, the PLPROFILE1 MKII LED Luminaire requires very little routine maintenance by the user. This section covers portions of the luminaire that can be removed for cleaning.

The PLPROFILE1 MKII LED Luminaire special care when it comes to cleaning front lens assembly. Additional care needs to be taken with the plastic components because they are much easier to scratch or damage than glass.

The following is a list of cleaning materials required to care for your PLPROFILE1 MKII LED Luminaire:

- Lint free lens tissue
- Lint or powder free gloves
- Reagent grade isopropyl alcohol\*
- A mild soap solution.

**Note:** \*Reagent grade isopropyl alcohol is good to use on the PLPROFILE1 MKII LED Luminaire optics with anti-reflection coatings.

---

If the lens is still dirty after using isopropyl alcohol, for instance if fingerprints or oil is just redistributed and not cleaned off the optics, then a mild soap and water solution can be used to gently wash the lens. Repeat the cleaning with isopropyl alcohol to eliminate streaks and soap residue.

---



**WARNING!** Under no circumstances should ammonia-based cleaners, acetone, or other harsh solvents be used on or near the PLPROFILE1 MKII LED Luminaire. These types of cleaners or solvents can permanently damage the optics or housings of the fixture.

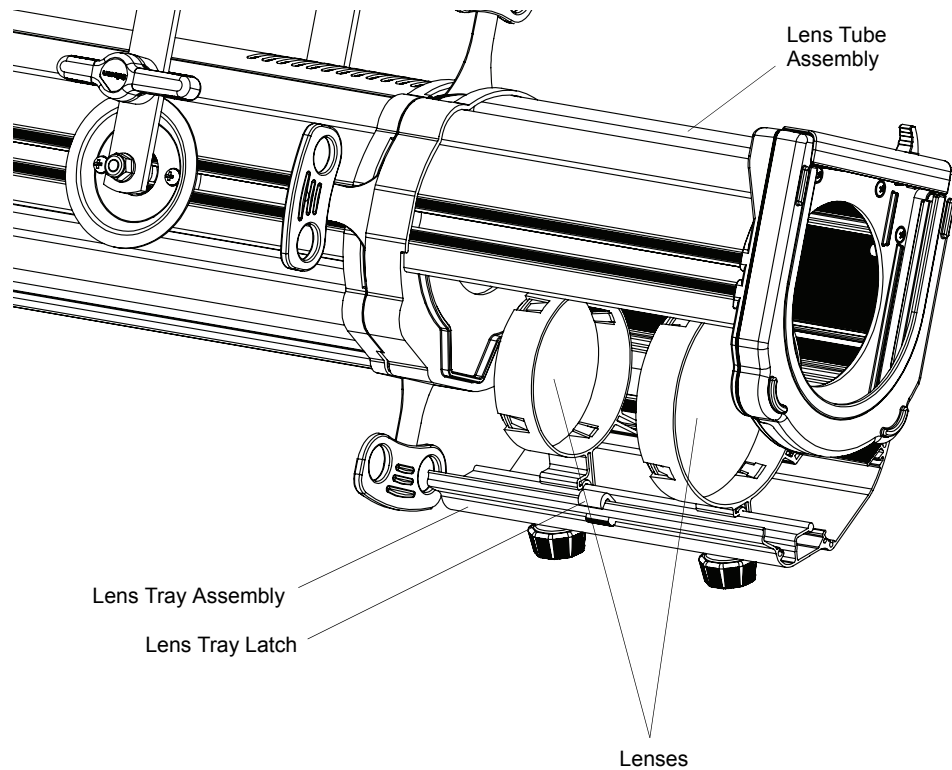
---

If you have any questions regarding the use or care of your PLPROFILE1 MKII LED Luminaire, please contact Selecon technical support or your local Authorized Dealer.

## 2. Lens Tray Assembly Cleaning

**To clean the front lens:**

- Step 1. Turn off luminaire and allow to cool completely.
- Step 2. As illustrated in **Figure 12 on page 35**, unlatch the lens tray assembly. Be careful as the lens tray assembly will swing open if not properly supported.



**Figure 12: Lens Cleaning**

- Step 3. Apply a small amount of reagent grade isopropyl alcohol to lint-free lens tissue.
- Step 4. Wipe all debris, dirt, fingerprints, etc. from inside lens tube assembly and lenses.
- Step 5. Using a second lint-free lens tissue, wipe off any alcohol residue.
- Step 6. Re-latch lens tray assembly.

### 3. Service and Maintenance

For all other service and maintenance issues, please contact your local Selecon office or an Authorized Service Center.



**WARNING!** Disassembly (other than as described herein), alterations, unauthorized service, etc. will void the product warranty. Contact your local Selecon office or an Authorized Service Center for technical support and service.

### 4. Accessories

Only Selecon approved accessories should be used with your PLPROFILE1 MKII LED Luminaire. For a list of available accessories from Selecon, please see "[Accessories](#)" on [page 4](#). For questions regarding accessories, please contact your local Authorized Selecon Dealer or Selecon office.

# TROUBLESHOOTING

## 1. Troubleshooting Guide

The chart below provides possible causes and remedies for various error messages and/or symptoms.



**WARNING!** Any service and maintenance (including troubleshooting), other than described herein should be performed by an Authorized Selecon Dealer or Service Center.

Description	Symptom	Possible Cause/Remedy
No light output.	Fixture will not produce or output light	Unit is set to Preset Off... Make sure unit is set to proper Preset. DMX command to 0 intensity... Adjust intensity to higher level.
No power at luminaire.	Luminaire does not power up	Circuit not energized... verify circuit breaker is turned on. Not plugged in... ensure A/C cable is connected to power source. Power cable wired incorrectly... verify power cable and connector are wired correctly. See " <a href="#">Connecting Power</a> " on page 7 for more information.
DMX Data Control.	Fixture will not respond to DMX commands.	Not detecting DMX data... Disconnect and reconnect DMX input cable. Unit is not set to be controlled by DMX - check menu settings. Check all DMX connections (at control source and luminaire). DMX data cable not wired correctly or has a broken conductor... check DMX data cable for proper wiring. See " <a href="#">Connecting to the DMX512 Network</a> " on page 8 for more information.
LED (light) is getting dimmer.	Fixture appears not to be operating at full brightness.	Luminaire has detected an over temperature condition... The luminaire will reduce power to its LED if it senses that the LED is operating over the specified temperature. LED temperature is read and recorded through a thermistor imbedded in the LED chip. Fan is not operating. Listen for fan operation or adjust settings to increase fan speed. On luminaires with a display check system status menu for status of fans and LED operation.
Local programming.	Unit will not allow local programming or changes.	Password protection is on (locked)... Input proper password to allow local programming and/or adjustments. Unit is controlled by DMX... Disconnect input cables to check issue.

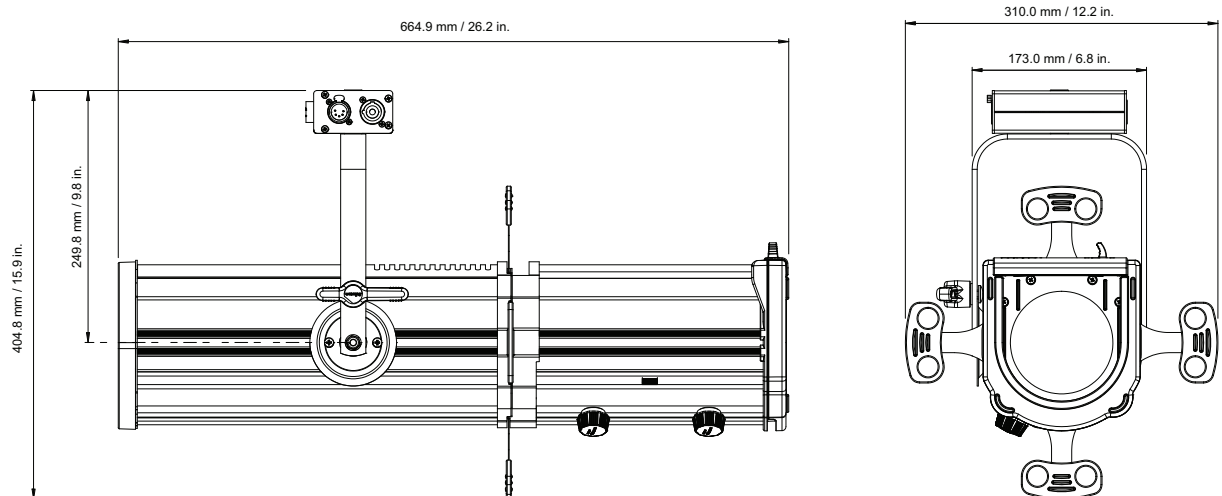
## TECHNICAL SPECIFICATIONS

### 1. PLPROFILE1 MKII LED Luminaire Operational Specifications

Source:	True RGBW 120 Watt LED chip
Light Output:	> 2000 lumens
Beam Angle:	18-34 Degrees or 24-44 Degrees (depends on lens option purchased)
Power Consumption:	140 Watts (max., RGBW at 100%)
Input Voltage:	100VAC to 240VAC (+/- 10%, auto-ranging)
Current:	1.2 Amps (115VAC) / 0.6 Amps (230VAC)
Frequency:	50/60Hz
Ambient Temperature:	0 to 40 degrees C (32 to 104 degrees F)
Humidity:	5%-95% Non condensing
Cooling:	Forced-Air
Weight:	17.2 lbs (7.8 kg) - Luminaire and topbox only (no mount, AC input cable or accessories)
Compliance:	cETLus Listed, CE, and C-Tick Marked

**Note:** Common model specifications shown. For specific model specifications, features, and accessories, refer to the product specification sheet or visit the Selecon web site at [www.seleconlight.com](http://www.seleconlight.com) for more details.

### 2. PLPROFILE1 MKII LED Luminaire Dimensions



# TECHNICAL SUPPORT

## GLOBAL 24HR TECHNICAL SUPPORT:

Call: +1 214 647 7880

[entertainment.service@signify.com](mailto:entertainment.service@signify.com)

## NORTH AMERICA SUPPORT:

Call: 877-VARI-LITE (877-827-4583)

[entertainment.service@signify.com](mailto:entertainment.service@signify.com)

## EUROPEAN CUSTOMER SERVICE CENTER:

Call: +31 (0) 543 542 531

[entertainment.europe@signify.com](mailto:entertainment.europe@signify.com)

© 2023 Signify Holding. All rights reserved. All trademarks are owned by Signify Holding or their respective owners. The information provided herein is subject to change, without notice. Signify does not give any representation or warranty as to the accuracy or completeness of the information included herein and shall not be liable for any action in reliance thereon. The information presented in this document is not intended as any commercial offer and does not form part of any quotation or contract, unless otherwise agreed by Signify. Data subject to change.