

Edison Vintage 1

Product code: 43330

Preface

Thank you for purchasing this Showtec product.

The purpose of this user manual is to provide instructions for the correct and safe use of this product.

Keep the user manual for future reference as it is an integral part of the product. The user manual shall be stored at an easily accessible location.

This user manual contains information concerning:

- Safety instructions
- Intended and non-intended use of the device
- Installation and operation of the device
- Maintenance procedures
- Troubleshooting
- Transport, storage and disposal of the device

Non-observance of the instructions in this user manual may result in serious injuries and damage of property.

©2026 Showtec. All rights reserved.

No part of this document may be copied, published or otherwise reproduced without the prior written consent of Highlite International.

Design and product specifications are subject to change without prior notice.

For the latest version of this document or other language versions, please visit our website www.highlite.com or contact us at service@highlite.com.

Highlite International and its authorized service providers are not liable for any injury, damage, direct or indirect loss, consequential or economic loss or any other loss arising from the use of, or inability to use or reliance on the information contained in this document.

Highlite International B.V. – Vestastraat 2 – 6468 EX Kerkrade – the Netherlands

Table of contents

1. Introduction	4
1.1. Before Using the Product.....	4
1.2. Intended Use.....	4
1.3. Product Lifespan.....	4
1.4. Text Conventions.....	4
1.5. Symbols and Signal Words.....	5
1.6. Symbols on the Information Label.....	5
2. Safety	6
2.1. Warnings and Safety Instructions.....	6
2.2. Requirements for the User.....	8
2.3. Personal Protective Equipment.....	8
3. Description of the Device	9
3.1. Front View.....	9
3.2. Back View.....	10
3.3. Product Specifications.....	11
3.4. Dimensions.....	12
3.5. Compatible Accessories.....	12
4. Installation	13
4.1. Safety Instructions for Installation.....	13
4.2. Personal Protective Equipment.....	13
4.3. Installation Site Requirements.....	13
4.4. Rigging.....	14
4.5. Angle Adjustment.....	15
4.6. Bulb Installation.....	15
4.7. Connecting to Power Supply.....	16
4.8. Power Linking of Multiple Devices.....	16
5. Setup	17
5.1. Warnings and Precautions.....	17
5.2. Stand-alone Setup.....	17
5.3. DMX Connection.....	17
5.3.1. DMX-512 Protocol.....	17
5.3.2. DMX Cables.....	17
5.3.3. DMX Linking.....	18
5.3.4. DMX Addressing.....	19
6. Operation	20
6.1. Safety Instructions for Operation.....	20
6.2. Control Modes.....	20
6.3. Control Panel.....	21
6.4. Start-up.....	21
6.5. Menu Overview.....	22
6.6. Main Menu Options.....	23
6.6.1. DMX Functions.....	23
6.6.1.1. DMX Address.....	23
6.6.1.2. DMX Mode.....	23
6.6.1.3. DMX Fail.....	24
6.6.2. Fixture Settings.....	24
6.6.3. Display.....	25
6.6.4. Manual Dimming Mode.....	25
6.6.5. Fixture Information.....	25
6.6.6. Special Functions.....	26
6.7. DMX Channels.....	27
6.7.1. 1 Channel, 2 Channels.....	27
6.8. RDM Information.....	28
6.8.1. RDM Details.....	28
6.8.2. Supported RDM PIDs (Parameter IDs).....	28
7. Troubleshooting	29

8. Maintenance	30
8.1. Safety Instructions for Maintenance.....	30
8.2. Preventive Maintenance.....	30
8.2.1. Basic Cleaning Instructions.....	30
8.3. Corrective Maintenance.....	30
8.3.1. Replacing the Fuse.....	30
9. Deinstallation, Transportation and Storage	31
9.1. Instructions for Deinstallation.....	31
9.2. Instructions for Transportation.....	31
9.3. Storage.....	31
10. Disposal	31
11. Approval	31

1. Introduction

1.1. Before Using the Product



Important
Read and follow the instructions in this user manual before installing, operating or servicing this product.

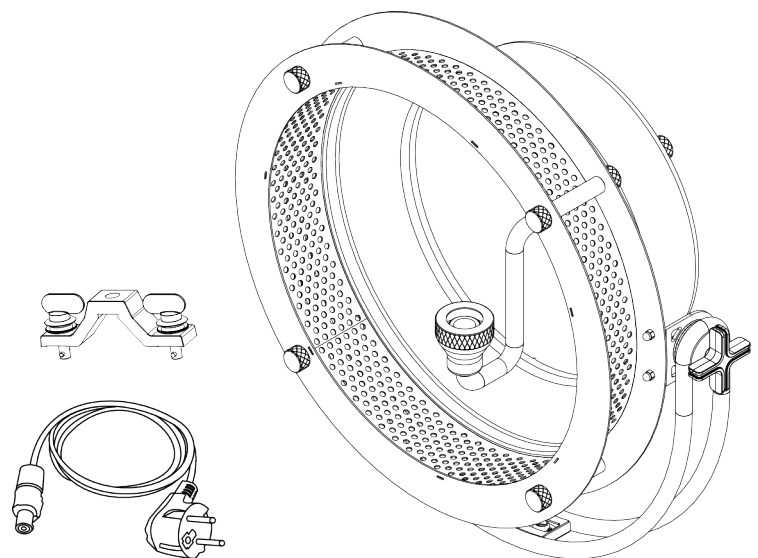
The manufacturer will not accept liability for any resulting damages caused by the non-observance of this manual.

After unpacking, check the contents of the box. If any parts are missing or damaged, contact your Highlite International dealer.

Your shipment includes:

- Showtec Edison Vintage 1
- Quick-lock bracket
- Schuko to Power Pro True cable (1,5 m)
- User manual

Figure 1



1.2. Intended Use

This device is intended for professional use as a luminaire. It can be installed only indoors. This device is not suitable for households and for general lighting.

Any other use, not mentioned under intended use, is regarded as non-intended and incorrect use.

1.3. Product Lifespan

This device is not designed for permanent operation.

Disconnect the device from the electrical power supply when the device is not in operation. This will reduce the wear and will improve the lifespan of the device.

1.4. Text Conventions

Throughout the user manual the following text conventions are used:

- Buttons: All buttons are in bold lettering, for example "Press the **UP/DOWN** buttons"
- References: References to parts of the device are in bold lettering, for example: "turn the **adjustment handle (05)**". References to chapters are hyperlinked
- 0–255: Defines a range of values
- Notes: **Note:** (in bold lettering) is followed by useful information or tips

1.5. Symbols and Signal Words

Safety notes and warnings are indicated throughout the user manual by safety signs.

Always follow the instructions provided in this user manual.



DANGER

Indicates an imminently hazardous situation which, if not avoided, will result in death or serious injury.



WARNING

Indicates a potentially hazardous situation which, if not avoided, could result in death or serious injury.



CAUTION

Indicates a potentially hazardous situation, which, if not avoided, may result in minor or moderate injury.



Attention

Indicates important information for the correct operation and use of the product.



Important

Read and observe the instructions in this document.



Electrical hazard



Provides important information about the disposal of this product.

1.6. Symbols on the Information Label

This product is provided with an information label. The information label is located on the back side of the device.

The information label contains the following symbols:



This device shall not be treated as household waste.



This device falls under IEC protection class I.



This device is designed for indoor use.

2. Safety



Important
Read and follow the instructions in this user manual before installing, operating or servicing this product.

The manufacturer will not accept liability for any resulting damages caused by the non-observance of this manual.

2.1. Warnings and Safety Instructions



DANGER
Danger for children

For adult use only. The device must be installed beyond the reach of children.

- Do not leave any parts of the packaging (plastic bags, polystyrene foam, nails, etc.) within the reach of children. Packaging material is a potential source of danger for children.



DANGER
Electric shock caused by dangerous voltage inside

There are areas inside the device where dangerous touch voltage may be present.

- Do not open the device or remove any covers.
- Do not operate the device if the covers or the housing are open. Before operation, check if the housing is firmly closed and all screws are tightly fastened.
- Disconnect the device from the electrical power supply before service and maintenance, and when the device is not in use.



DANGER
Electric shock caused by short-circuit

This device falls under IEC protection Class I.

- Make sure that the device is electrically connected to ground (earth). Connect the device only to a socket-outlet with a ground (earth) connection.
- Do not cover the ground (earth) connection.
- Do not bypass the thermostatic switch or fuses.
- Replace fuses only with the same type and rating.
- Do not let the power cable come into contact with other cables. Handle the power cable and all connections with the mains with caution.
- Do not modify, bend, mechanically strain, put pressure on, pull or heat up the power cable.
- Make sure that the power cable is not crimped or damaged. Examine the power cable periodically for any defects.
- Do not immerse the device in water or other liquids. Do not install the device in a location where flooding may occur.
- Do not use the device during thunderstorms. Disconnect the device from the electrical power supply immediately.



WARNING
Risk of epileptic shock

Strobe lighting can trigger seizures in photosensitive epilepsy. Sensitive persons should avoid looking at strobe lights.



Attention
Power supply

- Before connecting the device to the power supply, make sure that the current, voltage and frequency match the input voltage, current and frequency specified on the information label on the device.
- Make sure that the cross-sectional area of the extension cords and power cables is sufficient for the required power consumption of the device.



Attention
General safety

- Do not connect the device to a dimmer pack.
- Do not switch the device on and off in short intervals. This reduces the device's life.
- Do not shake the device. Avoid brute force when installing or operating the device.
- If the device is dropped or struck, disconnect the device from the electrical power supply immediately.
- If the device is exposed to extreme temperature variations (e.g. after transportation), do not switch it on immediately. Let the device reach room temperature before switching it on, otherwise it may be damaged by the formed condensation.
- If the device fails to work properly, discontinue use immediately.



Attention
For professional use only
This device must be used only for the purposes it is designed for.

This device is intended for professional use as a luminaire. Any incorrect use may lead to hazardous situations and result in injuries and material damage.

- This device is not suitable for households and for general lighting.
- This device is not designed for permanent operation.
- This device does not contain user-serviceable parts. Unauthorized modifications to the device will render the warranty void. Such modifications may result in injuries and material damage.



Attention
Before each use, examine the device visually for any defects.

Make sure that:

- All screws used for installing the device or parts of the device are tightly fastened and are not corroded.
- The safety devices are not damaged.
- There are no deformations on housings, fixings and installation points.
- The power cables are not damaged and do not show any material fatigue.

**Attention****Do not expose the device to conditions that exceed the rated IP class conditions.**

This device is IP20 rated. IP (Ingress Protection) 20 class provides protection against solid objects greater than 12 mm, such as fingers, and no protection against harmful ingress of water.

2.2. Requirements for the User

This product may be used by ordinary persons. Maintenance may be carried out by ordinary persons. Installation and service shall be carried out only by instructed or skilled persons. Contact your Highlite International dealer for more information.

Instructed persons have been instructed and trained by a skilled person, or are supervised by a skilled person, for specific tasks and work activities associated with the installation, service and maintenance of this product, so that they can identify risks and take precautions to avoid them.

Skilled persons have training or experience, which enables them to recognize risks and avoid hazards associated with the installation, service and maintenance of this product.

Ordinary persons are all persons other than instructed persons and skilled persons. Ordinary persons include not only users of the product but also any other persons that may have access to the device or who may be in the vicinity of the device.

2.3. Personal Protective Equipment

During installation, deinstallation and rigging wear personal protective equipment in compliance with the national and site-specific regulations.

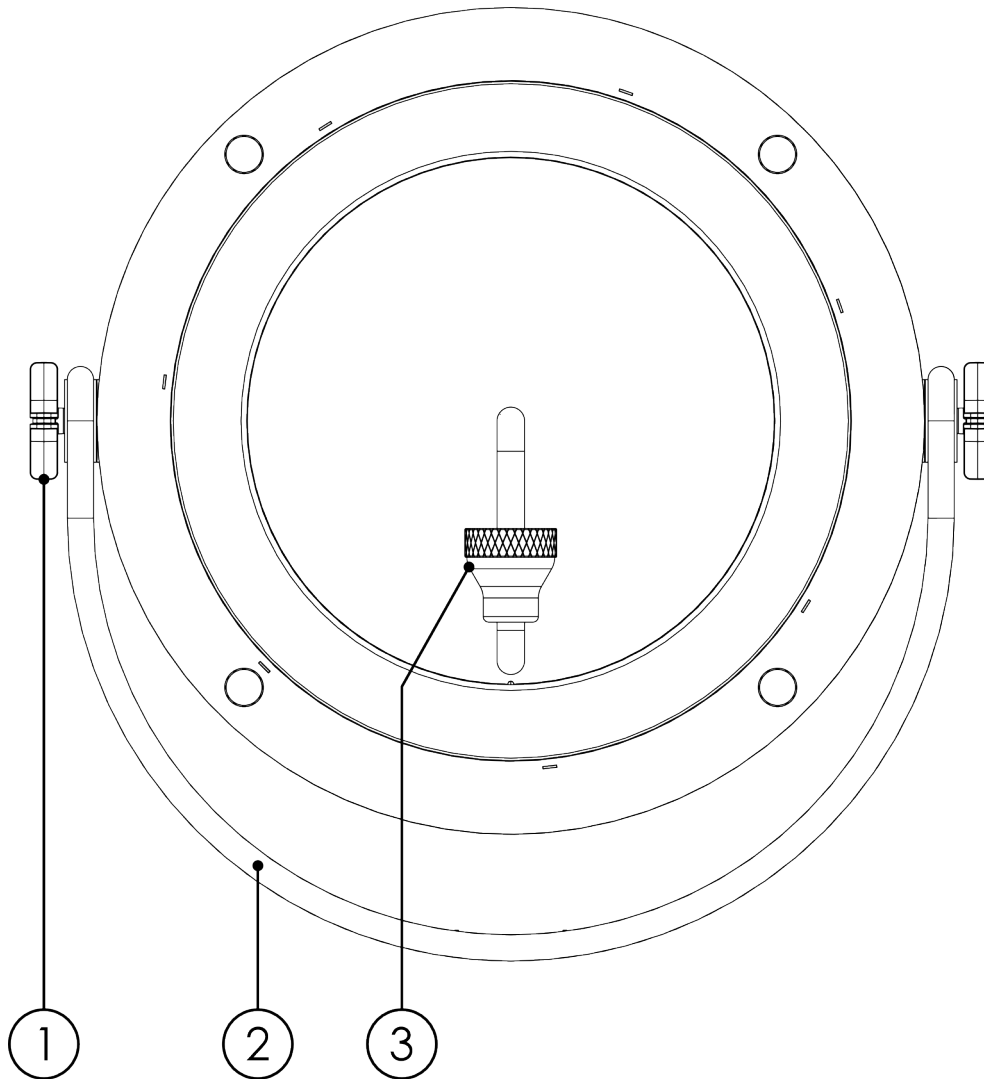
3. Description of the Device

The Showtec Edison Vintage 1 is a large-format, stylish LED light with a retro look. Equipped with an E27 socket suitable for a design LED bulb, it delivers a cosy, vintage glow ideal for stage, studio, or themed environments. The built-in dimmer supports both DMX control and manual operation, with smooth, non-linear voltage-based dimming for authentic incandescent-style fades. An intuitive OLED display ensures easy configuration, while the quick-lock bracket allows for fast, secure mounting on truss or 50 mm pipe systems.

LED bulb not included

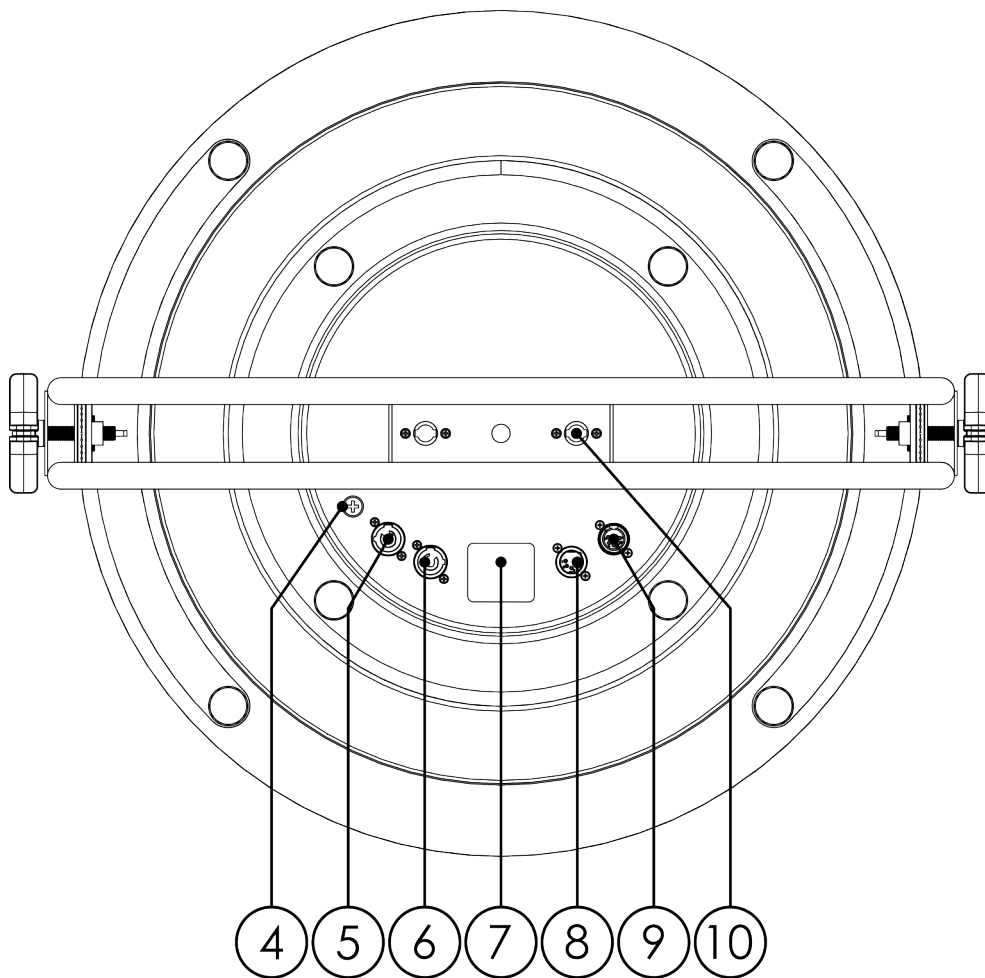
3.1. Front View

Figure 2



- 01) Adjustment handle
- 02) Mounting bracket
- 03) Lampholder (E27 socket)

3.2. Back View

Figure 3

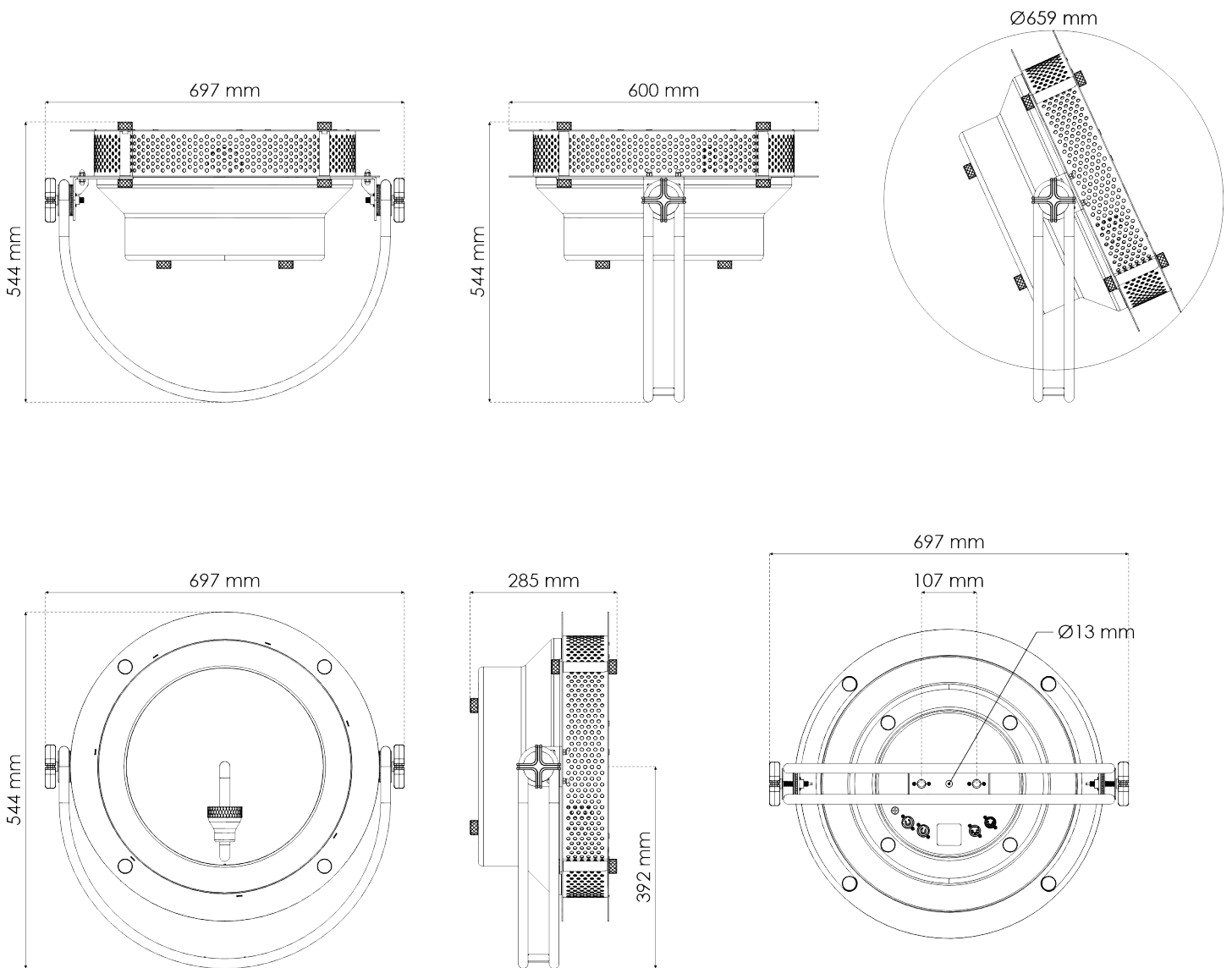
- 04) Fuse T 1 A/250 V
- 05) Power-pro connector IN 100–240 V, 50/60 Hz (Blue)
- 06) Power Pro connector OUT 100–240 V, 50/60 Hz (Gray)
- 07) Control panel: 1,3 inch OLED display and control buttons
- 08) 5-pin DMX signal connector IN
- 09) 5-pin DMX signal connector OUT
- 10) 2 x mounting holes for quick-lock brackets

3.3. Product Specifications

Model:	Edison Vintage 1
Source:	
Light socket	E27
Number of sockets	1
Control and Programming:	
Control mode	DMX
DMX channels	1 / 2
Protocols	DMX / RDM
Display	OLED
Display size	1,3"
Dim curve	Linear / Square / I-Square / S-Curve
Dimmer resolution	16 bit
Dynamic Effects:	
Dimmer	0–100 %
Electrical Specifications and Connections:	
Power supply	100–240 V AC 50/60 Hz
Power consumption	6 W
Fuse	1 A
Power connector IN	Power Pro Blue
Power connector OUT	Power Pro Grey
DMX connector	XLR 5P IN/OUT
DMX connector IN	XLR 5P
DMX connector OUT	XLR 5P
Cable length	1.5 m
Mechanical Specifications:	
Height	693 mm
Width	699 mm
Depth	285 mm
Weight	8 kg
IP rating	IP20 (indoor use only)
Material	Aluminium / metal
Housing	Aluminium / metal
Color	Pale gold / gray
Product Properties:	
Cooling	Convection
Rigging:	
Mounting options	Clamp / quick-lock
Thermal Specifications:	
Maximum ambient temperature	45 °C
Minimum operating temperature	0 °C
Included Items:	
Included cables	Power Pro cable
Included rigging	Quick-lock bracket

3.4. Dimensions

Figure 4

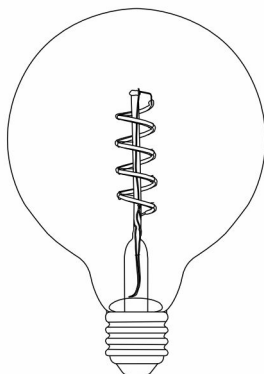


3.5. Compatible Accessories

The Edison Vintage 1 is delivered without the light source. The Edison Vintage 1 can be used with dimmable LED bulbs with an E27 lamp cap.

Compatible light sources:

- Product code: [83282](#) LED Filament Bulb G125



4. Installation

4.1. Safety Instructions for Installation

**WARNING**

Incorrect installation can cause serious injuries and damage of property.

If trussing systems are used, installation must be carried out only by instructed or skilled persons.

Follow all applicable European, national and local safety regulations concerning rigging and trussing.

4.2. Personal Protective Equipment

During installation, deinstallation and rigging wear personal protective equipment in compliance with the national and site-specific regulations.

4.3. Installation Site Requirements

- The device can be used only indoors.
- The minimum distance to other objects must be bigger than 0,5 m.
- The maximum ambient temperature $t_a = 45\text{ °C}$ must never be exceeded.
- The relative humidity must not exceed 50 % with an ambient temperature of 45 °C.

4.4. Rigging

The device can be positioned on a flat surface or mounted to a truss or other rigging structure in any orientation. Make sure that all loads are within the pre-determined limits of the supporting structure.

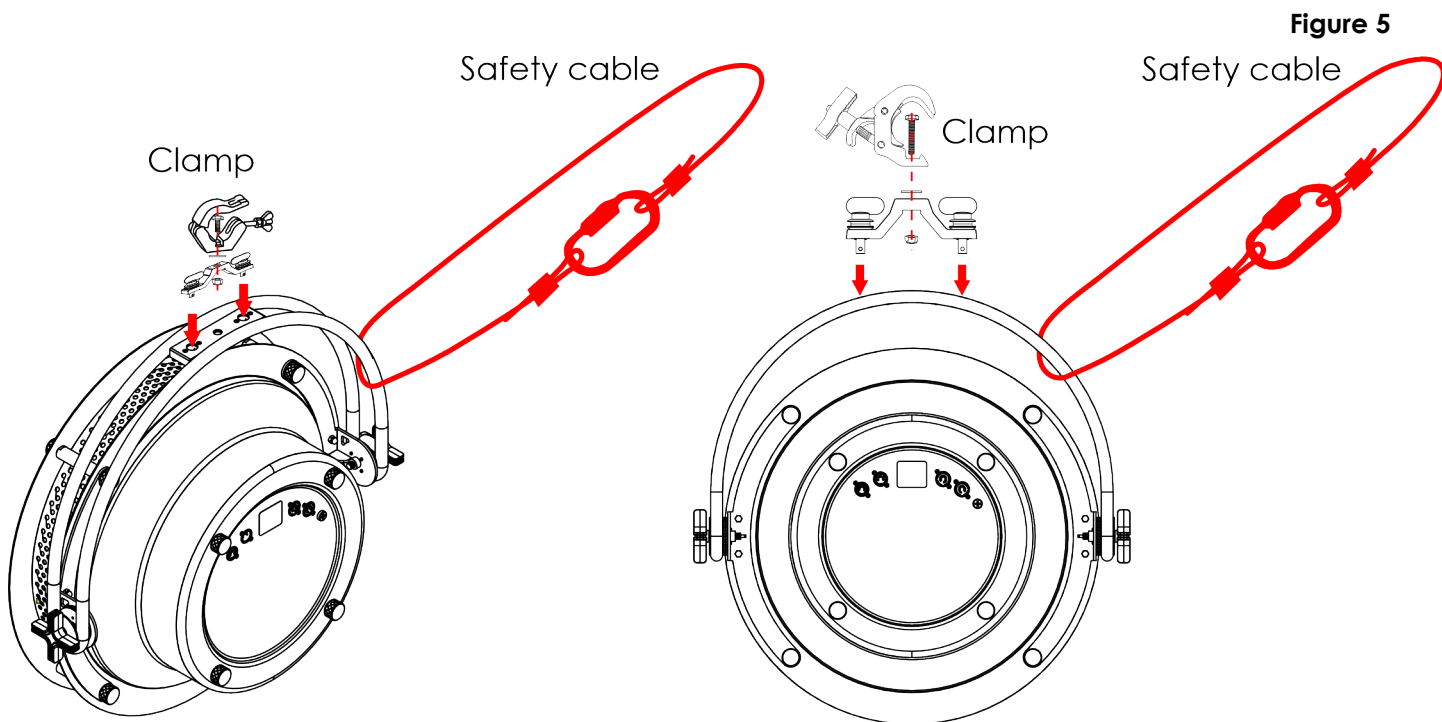


CAUTION

Restrict the access under the work area during rigging/derigging.

To mount the device, follow the steps below:

- 01) Install a clamp. Make sure that you use clamps suitable for attaching the device to a truss.
- 02) Fasten the quick-lock bracket, supplied with the device, on the **mounting holes for quick-lock brackets (10)**.



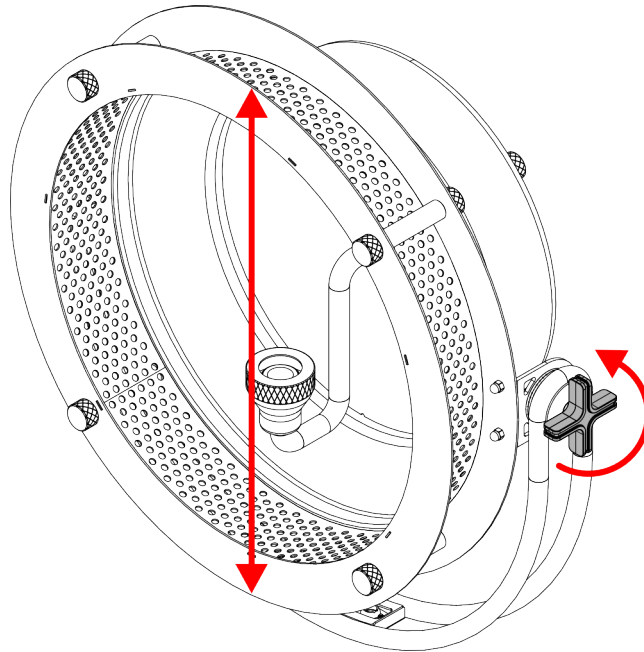
- 03) Attach the device to the supporting structure. Make sure that the device cannot move freely.
- 04) Secure the device with a secondary suspension, for example a safety cable. Make sure that the secondary suspension can hold 10 times the weight of the device. If possible, the secondary suspension should be attached to a supporting structure independent of the primary suspension. Put the safety cable through a **mounting bracket (02)**.

4.5. Angle Adjustment

You can adjust the angle of the device with the **adjustment handle (01)**.

- 01) Turn the **adjustment handle (01)** counterclockwise to loosen it.
- 02) Tilt the device to the desired angle.
- 03) Turn the **adjustment handle (01)** clockwise to tighten it. Make sure that the device cannot move freely after the **adjustment handle (01)** is tightened.

Figure 6

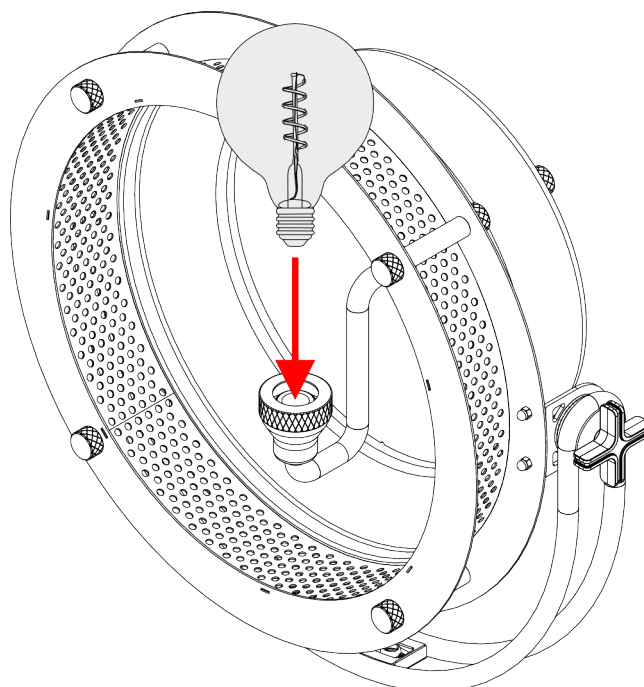


4.6. Bulb Installation

The Edison Vintage 1 is delivered without the light source. The Edison Vintage 1 can be used with dimmable LED bulbs with an E27 lamp cap (see [3.5. Compatible Accessories](#) on page 12).

- 01) Make sure that the device is disconnected from power supply.
- 02) Insert the LED bulb in the **lampholder (05)** and turn the LED bulb clockwise until it fits into place.

Figure 7



4.7. Connecting to Power Supply



DANGER
Electric shock caused by short-circuit

The device accepts AC mains power at 100–240 V and 50/60 Hz. Do not supply power at any other voltage or frequency to the device.

This device falls under IEC protection class I. Make sure that the device is always electrically connected to the ground (earth).

Before connecting the device to the socket-outlet:

- Make sure that the power supply matches the input voltage specified on the information label on the device.
- Make sure that the socket-outlet has a ground (earth) connection.

Connect the device to the socket-outlet with the power plug. Do not connect the device to a dimmer circuit, as this may damage the device.

4.8. Power Linking of Multiple Devices

This device supports power linking. Power can be relayed to another device via the power OUT connector. Note that the input and the output connectors have different designs: one type cannot be connected to the other.

Power linking of multiple devices must be carried out only by instructed or skilled persons.



WARNING
Incorrect power linking may lead to overload of the electrical circuit and result in serious injuries and damage of property.

To prevent overload of the electrical circuit, when power linking multiple devices:

- Use cables with sufficient current-carrying capacity. The power cable supplied with the device is not suitable for power linking of multiple devices.
- Make sure that the total current draw of the device and all connected devices does not exceed the rated capacity of the power cables and the circuit breaker.
- Do not link more devices on one power link than the maximum recommended number.

The maximum recommended number of devices depends on the total load of all connected devices.

The total load shall not exceed:

- at 120 V: 1800 W
- at 230 V: 3500 W

5. Setup

5.1. Warnings and Precautions

**Attention**

Connect all data cables before supplying power.

Disconnect power supply before connecting or disconnecting data cables.

5.2. Stand-alone Setup

When the Edison Vintage 1 is not connected to a controller or to other devices, it functions as a stand-alone device. It can be operated manually via the control panel.

For more information refer to Control Modes (see [6.2. Control Modes](#) on page 20).

5.3. DMX Connection

5.3.1. DMX-512 Protocol

You need a DMX serial data link to run light shows of one or more devices using a DMX-512 controller.

The Edison Vintage 1 has 5-pin DMX signal IN and OUT connectors.

The pin assignment is as follows: pin 1 (ground), pin 2 (-), pin 3 (+), pin 4 (N/C), pin 5 (N/C).

Devices on a serial data link must be daisy-chained in a single line. The number of devices that you can control on one data link is limited by the combined number of the DMX channels of the connected devices and the 512 channels available in one DMX universe.

To comply with the TIA-485 standard, no more than 32 devices should be connected on one data link. In order to connect more than 32 devices on one data link, you must use a DMX optically isolated splitter/booster, otherwise this may result in deterioration of the DMX signal.

Note:

- Maximum recommended DMX data link distance: 300 m
- Maximum recommended number of devices on a DMX data link: 32 devices

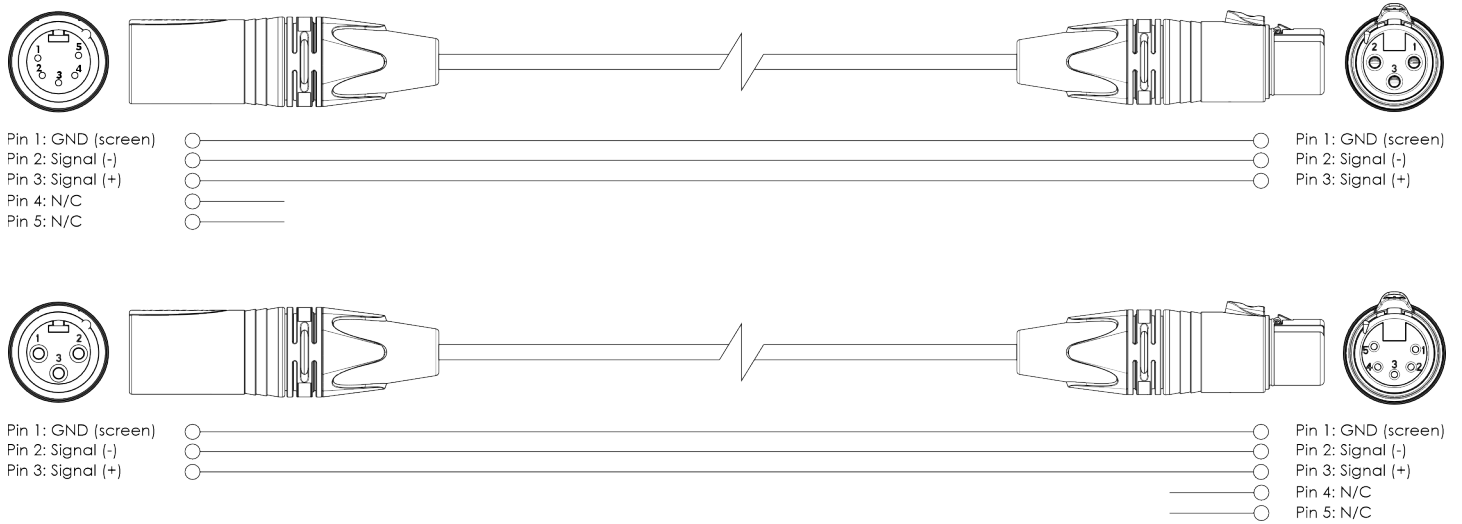
5.3.2. DMX Cables

Shielded twisted-pair cables with 5-pin XLR connectors must be used for reliable DMX connection. You can purchase DMX cables directly from your Highlite International dealer or make your own cables.

If you use XLR audio cables for DMX data transmission, this may lead to signal degradation and unreliable operation of the DMX network.

When you make your own DMX cables, make sure that you connect the pins and wires correctly as shown in the figure below.

Figure 8

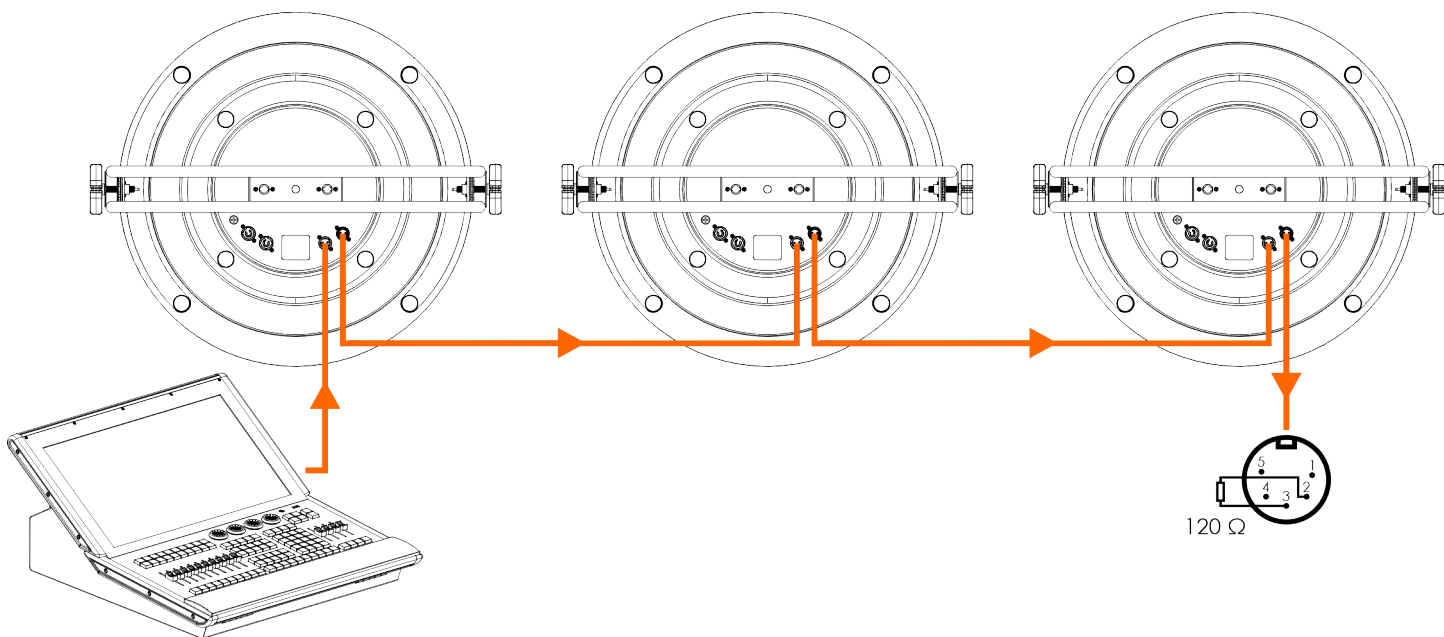


5.3.3. DMX Linking

To connect multiple devices on one DMX data link, follow the steps below:

- 01) Use a 5-pin DMX cable to connect the DMX OUT connector of the lighting controller to the DMX IN connector of the 1st device.
- 02) Connect the DMX OUT connector of the 1st device to the DMX IN connector of the 2nd device with a 5-pin DMX cable.
- 03) Repeat step 2 to connect all devices in a daisy-chain.
- 04) Connect a DMX terminator (120 Ω resistor) to the DMX OUT connector of the last device on the data link.

Figure 9



5.3.4. DMX Addressing

In a setup with multiple devices, make sure that you set the DMX starting address of each device correctly. The Edison Vintage 1 has 2 personalities: 1 channel, 2 channels.

If you want to connect multiple devices on one data link and use them in 2-channel mode, for example, follow the steps below:

- 01) Set the starting address of the 1st device on the data link to 1 (001).
- 02) Set the starting address of the 2nd device on the data link to 3 (003), as $1 + 2 = 3$.
- 03) Set the starting address of the 3rd device on the data link to 5 (005), as $3 + 2 = 5$.
- 04) Continue assigning the starting addresses of the remaining devices by adding 2 to the previous number each time.

Make sure that you do not have any overlapping channels in order to control each Edison Vintage 1 correctly. If two or more devices have the same DMX starting address, they operate in the same way.

6. Operation

6.1. Safety Instructions for Operation

**Attention**

This device must be used only for the purposes it is designed for.

This device is intended for professional use as a luminaire. It can be installed only indoors. This device is not suitable for households and for general lighting.

Any other use, not mentioned under intended use, is regarded as non-intended and incorrect use.

**Attention****Power supply**

Before connecting the device to the power supply, make sure that the current, voltage and frequency match the input voltage, current and frequency specified on the information label on the device.

6.2. Control Modes

The Edison Vintage 1 can be operated with a DMX controller or as a stand-alone device.

The Edison Vintage 1 supports the following control modes:

- Stand-alone: Manual operation
- DMX-512: 1 channel, 2 channels

For more information about how to connect the devices, refer to Setup (see [5. Setup](#) on page 17).

To operate the device as a stand-alone device:

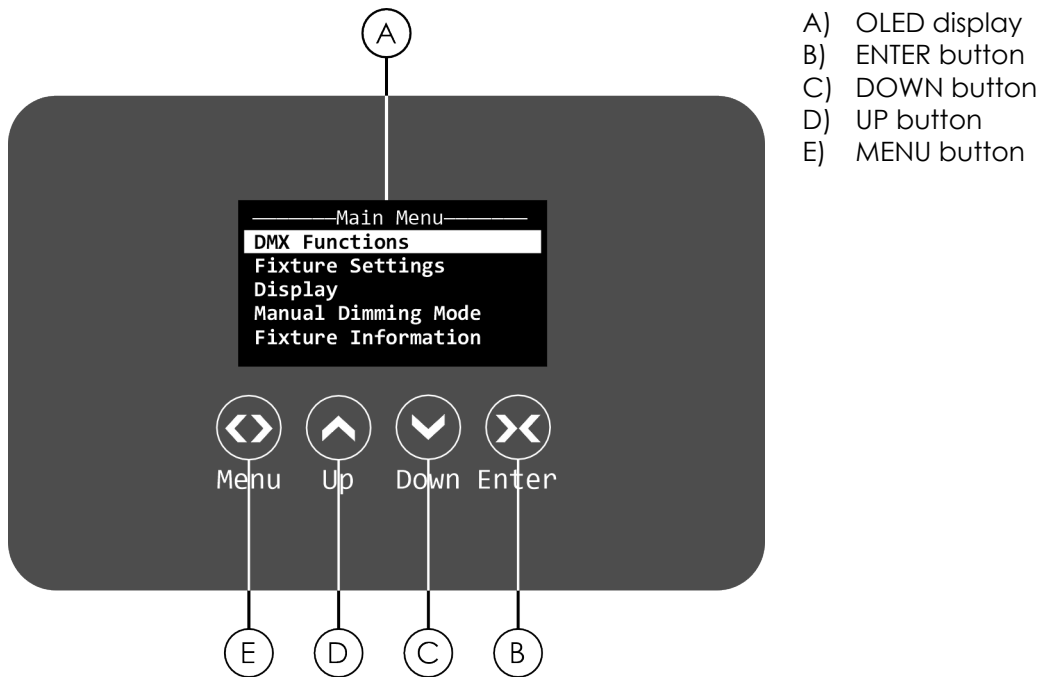
- Select manual mode (see [6.6.4. Manual Dimming Mode](#) on page 25)

To operate the device with a DMX controller:

- 01) Select the DMX channel mode in the DMX Mode submenu (see [6.6.1.2. DMX Mode](#) on page 23). Refer to the DMX chart (see [6.7. DMX Channels](#) on page 27) for a complete overview of all DMX channels.
- 02) Set the DMX starting address of the device in DMX Address submenu (see [6.6.1.1. DMX Address](#) on page 23).
- 03) Set the behavior of the device in case there is no DMX signal in the DMX Fail submenu (see [6.6.1.3. DMX Fail](#) on page 24).

6.3. Control Panel

Figure 10



- Use the **MENU** button to exit the current submenu, to return to the main menu and to return to the start screen.
- Use the **UP/DOWN** buttons to navigate through the menus and to select values and options.
- Use the **ENTER** button to open the desired menu, to confirm the selection or to set the currently selected value.

6.4. Start-up

Upon start-up, the display shows a splash screen with the Showtec logo and the name of the device.

Edison Vintage 1

Immediately afterwards, the display shows the start screen. The start screen provides information about the behavior of the device in case there is no DMX signal.

BLACKOUT

Note:

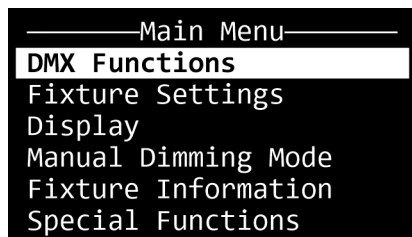
If no button is pressed, after 40 seconds the backlight of the display turns off. You can change this setting in the Backlight submenu (see [6.6.3. Display](#) on page 25). If the DMX signal is lost, the display shows the preset action.

6.5. Menu Overview

Level 1	Level 2	Level 3
DMX Functions (see 6.6.1. DMX Functions on page 23)	DMX Address	001–512
	Mode	1 Channel 2 Channel
	DMX Fail	Blackout Last
Fixture Settings (see 6.6.2. Fixture Settings on page 24)	Dimmer Curve	Linear
		Square Law
		Inv SQ Law
Dimmer Speed	S Curve	
	LED Halogen	
Display (see 6.6.3. Display on page 25)	Backlight Auto Off	No
		Yes
	Display Inverse	No Yes
Manual Dimming Mode (see 6.6.4. Manual Dimming Mode on page 25)	Display Contrast	0–10
	Dimmer	000–255
Fixture Information (see 6.6.5. Fixture Information on page 25)	RDM UID:29B4:0AFxxxxx	
	Fixture Use Time	0
	Firmware Version	CPU A V 1.0 B 1.0
Special Functions (see 6.6.6. Special Functions on page 26)	Factory Reset	No
		Yes

6.6. Main Menu Options

The main menu has the following 6 options:



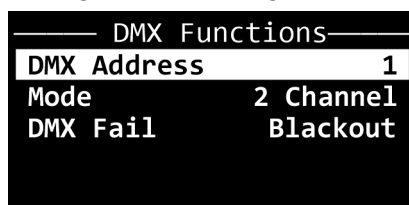
DMX Functions
 Fixture Settings
 Display
 Manual Dimming Mode
 Fixture Information
 Special Functions

- 01) Press the **UP/DOWN** buttons to navigate through the main menu.
- 02) Press the **ENTER** button to open submenus.

6.6.1. DMX Functions

In this menu you can configure the DMX settings of the device.

- 01) Press the **UP/DOWN** buttons to scroll through the following options:



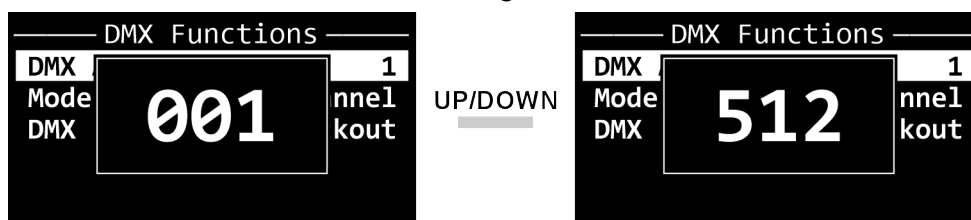
- DMX Address (see [6.6.1.1. DMX Address](#))
- DMX Mode (see [6.6.1.2. DMX Mode](#))
- DMX Fail (see [6.6.1.3. DMX Fail](#))

- 02) Press the **ENTER** button to confirm the selection.

6.6.1.1. DMX Address

In this pop-up submenu, you can set the DMX starting address of the device.

- 01) Press the **UP/DOWN** buttons to select the DMX starting address of the device. The selection range is 001–512.

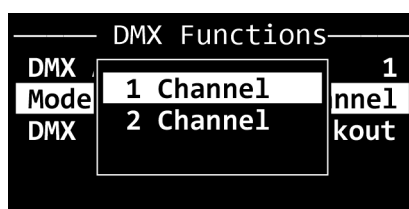


- 02) Press the **ENTER** button to confirm the selection.

6.6.1.2. DMX Mode

In this pop-up submenu, you can select the DMX channel mode.

- 01) Press the **UP/DOWN** buttons to select the DMX channel mode. There are 2 options available:



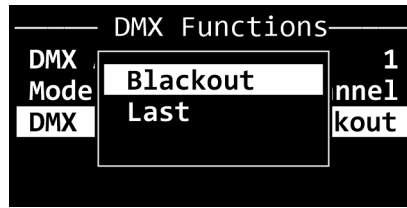
- 1 channel
- 2 channel

- 02) Press the **ENTER** button to confirm the selection. For more information, refer to DMX Channels (see [6.7. DMX Channels](#) on page 27).

6.6.1.3. DMX Fail

In this pop-up submenu, you can determine the behavior of the device in case there is no DMX signal.

01) Press the **UP/DOWN** buttons to select one of the 2 options:



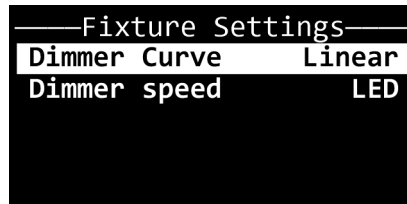
- Blackout: The device blacks out the light output
- Last: The device uses the last DMX signal correctly received

02) Press the **ENTER** button to confirm the selection.

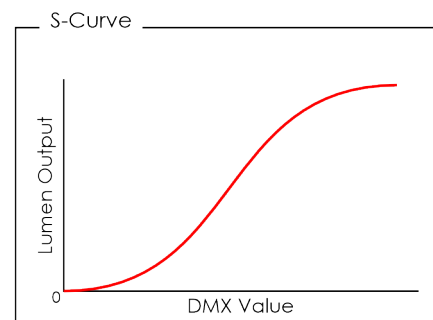
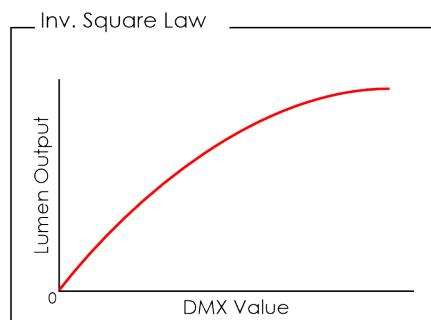
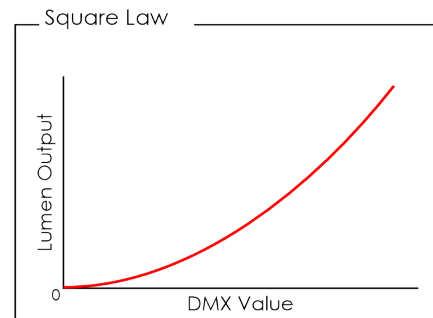
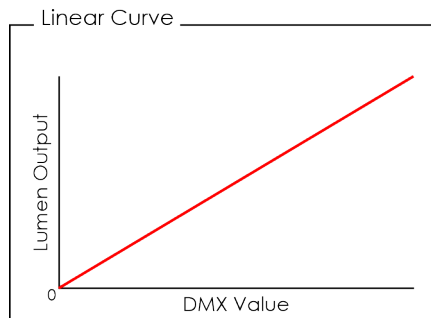
6.6.2. Fixture Settings

In this menu you can adjust the fixture settings.

01) Press the **UP/DOWN** buttons to select one of the 2 options:



- Dimmer Curve: There are 4 options available: Linear, Square Law, Inverse Square Law and S-Curve



- Dimmer Speed: There are 2 options available: LED (instant dimming without delay) and Halogen (delayed dimming, imitating the behavior of a halogen lamp)

02) Press the **ENTER** button to confirm the selection.

6.6.3. Display

In this menu you can adjust the display settings of the device.

01) Press the **UP/DOWN** buttons to select one of the following 3 options:



- Backlight Auto Off: The backlight of the OLED display does not turn off automatically after 30 seconds of inactivity (Yes/No)
- Display Inverse: The OLED display is rotated at 180° (Yes/No)
- Display Contrast: The adjustment range is 00–10 (from low to high contrast, 00=OFF)

02) Press the **ENTER** button to confirm the selection and open the pop-up submenu where you can adjust the settings.

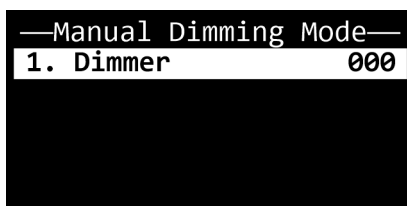
03) Press the **UP/DOWN** buttons to select the desired setting.

04) Press the **ENTER** button to confirm the selection.

6.6.4. Manual Dimming Mode

In this menu you can manually adjust the dimmer.

01) Press the **ENTER** button to confirm and open the pop-up submenu where you can adjust the dimmer value.



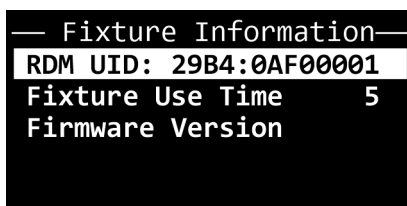
02) Press the **UP/DOWN** buttons to adjust the values. The adjustment range is 000–255.

03) Press the **ENTER** button to confirm.

6.6.5. Fixture Information

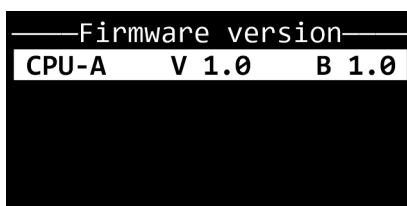
In this menu you can view the UID, the fixture use hours and the firmware version of the device.

01) Press the **UP/DOWN** buttons to scroll through the following 3 options:



- RDM UID: Shows the unique identification (UID) number of the device
- Fixture Use Time: Shows the operating hours of the LED
- Firmware Version: Shows the current firmware version

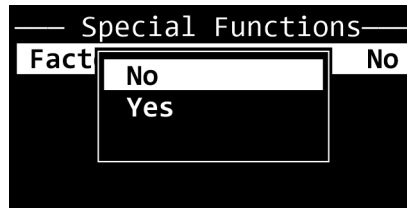
02) Press the **ENTER** button to open the submenu to view the firmware version:



6.6.6. Special Functions

In this menu you can reset the settings of the device to the default factory settings.

01) Press the **ENTER** button to open the pop-up submenu for the factory reset:



02) Press the **UP/DOWN** buttons to choose between No and Yes. If you choose Yes, the settings of the device will be reset to the default factory settings.

03) Press the **ENTER** button to confirm your choice.

6.7. DMX Channels

6.7.1. 1 Channel, 2 Channels

1CH	2CH	Function	Value	Setting
1	1	Dimmer	000–255	From low to high intensity (0–100 %)
	2	Dimmer Curve	000–020	Linear (dimmer curve)
			021–040	Square Law (dimmer curve)
			041–060	Inverse Square Law (dimmer curve)
			061–080	S-Curve (dimmer curve)
			081–255	Default dimmer curve (set via menu)

6.8. RDM Information

This device supports RDM (see [6.8.1. RDM Details](#)).

6.8.1. RDM Details

- Responder: 29B4:0AFxxxxx
- Manufacturer's ID: 29B4
- Manufacturer Label: Showtec
- Model Description: Edison Vintage 1
- Model ID: 0AF
- Device Label: Edison Vintage 1

Note:

An RDM responder ID consists of 3 parts:

- 1st part – 4 digits – Manufacturer's ID
- 2nd part – 3 digits – Model ID
- 3rd part – 5 digits – Unique ID

The RDM responder IDs of all products of Highlite International start with the same 4 digits. The first 7 digits of the RDM responder ID for each model are the same. The last 5 digits are different for each device.

6.8.2. Supported RDM PIDs (Parameter IDs)

Parameter ID	Value	Required	GET	SET
SUPPORTED_PARAMETERS	0x0050	*	*	
DEVICE_MODEL_DESCRIPTION	0x0080		*	
MANUFACTURER_LABEL	0x0081		*	
DEVICE_LABEL	0x0082		*	*
DMX_PERSONALITY	0x00E0		*	*
DMX_PERSONALITY_DESCRIPTION	0x00E1		*	
DMX_START_ADDRESS	0x00F0	*	*	*
SENSOR_DEFINITION	0x0200		*	
SENSOR_VALUE	0x0201		*	*
RECORD_SENSORS	0x0202			*
DEVICE_HOURS	0x0400		*	*

7. Troubleshooting

This troubleshooting guide contains solutions to problems which can be carried out by an ordinary person. The device does not contain user-serviceable parts.

Unauthorized modifications to the device will render the warranty void. Such modifications may result in injuries and material damage.

Refer servicing to instructed or skilled persons. Contact your Highlite International dealer in case the solution is not described in the table.

Problem	Probable cause(s)	Solution
The device does not function at all	No power to the device	<ul style="list-style-type: none"> Make sure that the device is connected to the power supply and the cables are plugged in
	The main fuse is blown	<ul style="list-style-type: none"> Replace the fuse (see 8.3.1. Replacing the Fuse on page 30)
The device responds erratically	The factory settings of the device are changed	<ul style="list-style-type: none"> Reset the parameters of the device to the default factory settings (see 6.6.6. Special Functions on page 26)
The device does not respond to DMX control	The controller is not connected	<ul style="list-style-type: none"> Connect the controller
	The signal is reversed. The 5-pin DMX OUT of the controller does not match the DMX IN of the device	<ul style="list-style-type: none"> Install a phase-reversing cable between the controller and the device
	The controller is defective	<ul style="list-style-type: none"> Try using another controller
The device responds erratically to DMX control	Connections are defective	<ul style="list-style-type: none"> Examine connections and cables. Correct defective connections. Repair or replace damaged cables
	The data link is not terminated with a 120 Ω termination plug	<ul style="list-style-type: none"> Insert a termination plug in the DMX OUT connector of the last device on the link
	Incorrect addressing	<ul style="list-style-type: none"> Make sure that the address settings are correct
	In case of a setup with multiple devices, one of the devices is defective and disturbs data transmission on the link	<ul style="list-style-type: none"> To find the defective device, bypass one device at a time until normal operation is restored
No light or LEDs cut out intermittently	The LED bulb is damaged	<ul style="list-style-type: none"> Replace the LED bulb (see 4.6. Bulb Installation on page 15)
	The input power parameters of the device do not match local AC voltage and frequency	<ul style="list-style-type: none"> Disconnect the device. Make sure that the local current, voltage and frequency match the input voltage, current and frequency specified on the information label on the device

8. Maintenance

8.1. Safety Instructions for Maintenance



DANGER
Electric shock caused by dangerous voltage inside

Disconnect power supply before servicing or cleaning.

8.2. Preventive Maintenance



Attention
Before each use, examine the device visually for any defects.

Make sure that:

- All screws used for installing the device or parts of the device are tightly fastened and are not corroded.
- The safety devices are not damaged.
- There are no deformations on housings, fixings and installation points.
- The power cables are not damaged and do not show any material fatigue.

8.2.1. Basic Cleaning Instructions

To clean the device, follow the steps below:

- 01) Disconnect the device from the electrical power supply.
- 02) Allow the device to cool down for at least 5 minutes.
- 03) Clean the device with a soft, lint-free cloth.



Attention

- Do not immerse the device in liquid.
- Do not use alcohol or solvents.

8.3. Corrective Maintenance

The device does not contain user-serviceable parts. Do not open the device and do not modify the device.

Refer repairs and servicing to instructed or skilled persons. Contact your Highlite International dealer for more information.

8.3.1. Replacing the Fuse



DANGER
Electric shock caused by short-circuit

- Do not bypass the thermostatic switch or fuses.
- Replace fuses only with the same type and rating.

Power surges, short-circuit or incorrect electrical power supply may cause a fuse to burn out. If the fuse burns out, the device will not function anymore. If this happens, follow the steps below:

- 01) Disconnect the device from the electrical power supply.
- 02) Allow the device to cool down for at least 15 minutes.

- 03) Loosen the fuse cover with a screwdriver and remove the fuse holder.
- 04) If the fuse is brown or unclear, it is burned out. Remove the old fuse.
- 05) Insert a new fuse in the fuse holder. Make sure that the type and the rating of the replacement fuse are the same as the ones specified on the information label of the product.
- 06) Replace the fuse holder in the opening and tighten the fuse cover.

9. Deinstallation, Transportation and Storage

9.1. Instructions for Deinstallation



WARNING

Incorrect deinstallation can cause serious injuries and damage of property.

- Let the device cool down before dismounting.
- Disconnect power supply before deinstallation.
- Always observe the national and site-specific regulations during deinstallation and derigging of the device.
- Wear personal protective equipment in compliance with the national and site-specific regulations.

9.2. Instructions for Transportation

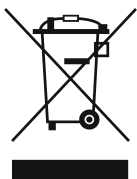
- Use the original packaging to transport the device, if possible.
- Always observe the handling instructions printed on the outer carton box, for example: "Handle with care", "This side up", "Fragile".

9.3. Storage

- Clean the device before storing (see [8.2.1. Basic Cleaning Instructions](#) on page 30).
- Store the device in the original packaging, if possible.

10. Disposal

Correct disposal of this product



Waste Electrical and Electronic Equipment

This symbol on the product, its packaging or documents indicates that the product shall not be treated as household waste. Dispose of this product by handing it to the respective collection point for recycling of electrical and electronic equipment. This is to avoid environmental damage or personal injury due to uncontrolled waste disposal. For more detailed information about recycling of this product contact the local authorities or the authorized dealer.

11. Approval



Check the respective product page on the website of Highlite International (www.highlite.com) for an available declaration of conformity.

